



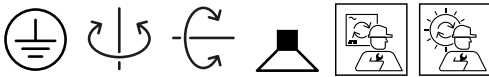
**PROJECT** \_\_\_\_\_

**TYPE** \_\_\_\_\_

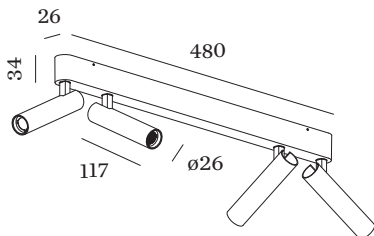
**NOTES** \_\_\_\_\_

**QUANTITY** \_\_\_\_\_

**DATE** \_\_\_\_\_



Ceiling surface luminaire with 4 spotlights with base; made from die-cast aluminium; surface Black Matt; powder coated, matt texture; RAL 9011; with COB (Chip on Board) technology for maximum efficiency; phase-cut dim; light colour 2700 K;  $\leq 2$  SDCM (initial MacAdam); CRI  $\geq 90$ ; beam angle 30°; 350° rotatable and 90° tiltable; degree of protection IP20; Class 1; driver included; light source replaceable by Wever & Ducré or by a professional with explicit authorization; control gear replaceable by an authorized professional;



**LUMINAIRE**

Ceiling
Surface
tilt max 90 °
rotation 350 °
Black Matt
RAL 9011 <sup>a</sup>
IP20
Interior
1960 lm

**LED Module**

2700 K
CRI $\geq 90$
L80 / 50000h
$\leq 2$ SDCM (initial MacAdam)
490 lm
68 lm/W <sup>b</sup>

**Optical**

Medium (standard)
beam angle 30°
CIE flux code: 97 100 100 100
100

**Electrical**

phase-cut dim
220 - 240 V
system 28.9 W
Class I
Standard

**Physical**

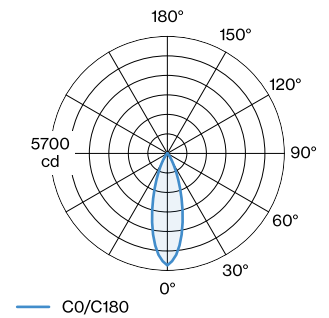
length 480 mm
width 26 mm
height 117 mm
0.86 kg

**datasheet.quicksum.material**

Aluminium

<sup>a</sup> Colour may deviate slightly due to production conditions  
<sup>b</sup> Without electrical and optical losses

**LIGHT DISTRIBUTION**



[177454B3] The technical data represent rated values for an ambient temperature of 25°C. The data values for the luminous flux are initially subject to a tolerance of +/- 10%, those for the electrical connected load are initially subject to a tolerance of +/- 10%, and those for the colour temperature are initially subject to a tolerance of +/- 150 K. No liability is assumed for typographical or printing errors. The general terms and conditions of Wever & Ducré BV apply.



**CONE DIAGRAM**

medium (standard) 31°

h (m)	E0° (lx)	ø (m)
1	1360	0.56
2	340	1.12
3	150	1.67
4	90	2.23
5	50	2.79

**Maintenance Factor**

Operating Time [h]	10.000	20.000	30.000	40.000	50.000
LLMF	0.98	0.95	0.93	0.9	0.88
LSF	1	1	1	1	1

MF	$LMF \times RSMF \times LLMF \times LSF$	RSMF <sup>a</sup>	Room Surface Maintenance Factor
MF	Maintenance Factor	LLMF	Lamp Lumens Maintenance Factor
LMF <sup>a</sup>	Luminaire Maintenance Factor	LSF	Lamp Survival Factor

<sup>a</sup>According to "CIE 97, Maintenance of indoor electric lighting systems", 2005, ISBN 3-900-734-34-8. The values must be determined by the planner.