



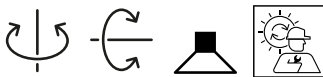
PROJECT _____

TYPE _____

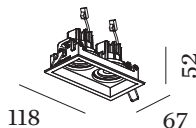
NOTES _____

QUANTITY _____

DATE _____



Rectangular ceiling recessed downlight made from die-cast aluminium; adjustable; surface Black Matt; powder coated, matt texture; RAL 9011; installation without tools using wire springs; suitable for ceiling thickness of 2-22 mm; recessed depth 65 mm; with COB (Chip on Board) technology for maximum efficiency; light colour 3000 K; ≤ 2 SDCM (initial MacAdam); CRI ≥ 90 ; beam angle 15°; 355° rotatable and 25° tiltable; degree of protection IP20; Class 3; IC rated; driver not included; light source replaceable by Wever & Ducré or by a professional with explicit authorization;



LUMINAIRE

Ceiling _____

Recessed _____

tilt max 25 ° _____

rotation 355 ° _____

Black Matt _____

RAL 9011 ^a _____

IP20 _____

IC rated _____

Interior _____

1130 lm / 350mA _____

LED Module

3000 K _____

CRI ≥ 90 _____

L70 / 55000h _____

≤ 2 SDCM (initial MacAdam) _____

1340 lm / 350mA _____

112 lm/W ^b _____

12 W ^b _____

Optical

Narrow _____

beam angle 15° _____

UGR ≤ 13 _____

CIE flux code: 98 100 100 100 _____

100 _____

$\geq 65^\circ < 3000 \text{ cd/m}^2$ _____

Electrical

excl. driver _____

17 V _____

Class III _____

Standard _____

Physical

length 118 mm _____

width 67 mm _____

height 52 mm _____

0.15 kg _____

wire springs _____

Cutout

length 54 mm _____

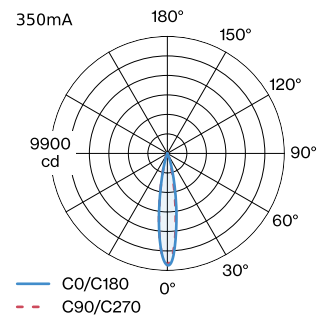
width 110 mm _____

min. ceiling thickness 2 mm _____

max. ceiling thickness 22 mm _____

recessed depth 65 mm _____

LIGHT DISTRIBUTION



^a Colour may deviate slightly due to production conditions
^b Without electrical and optical losses



Maintenance Factor

Operating Time [h]	10.000	20.000	30.000	40.000	50.000
LLMF	0.98	0.95	0.93	0.9	0.88
LSF	1	1	1	1	1

$$MF = LMF \times RSMF \times LLMF \times LSF$$

MF Maintenance Factor

LMF^a Luminaire Maintenance Factor

RSMF^a Room Surface Maintenance Factor

LLMF Lamp Lumens Maintenance Factor

LSF Lamp Survival Factor

^aAccording to "CIE 97, Maintenance of indoor electric lighting systems", 2005, ISBN 3-900-734-34-8. The values must be determined by the planner.

ELECTRICAL ACCESSORIES

Driver

Type	Colour	Voltage	L·W·H (MM)	Item number
6W 350mA 8.6-18V		8.6-18V	67-39-22	90213303
10W 350mA 13-26V phase-cut dim		13-26V	115-41-25	90223406
14W 350mA 10-40V DALI-2 push dim		10-40V	166-29-21	90243502