



**PROJECT** \_\_\_\_\_

**TYPE** \_\_\_\_\_

**NOTES** \_\_\_\_\_

**QUANTITY** \_\_\_\_\_

**DATE** \_\_\_\_\_



**LUMINAIRE**

- \_\_\_\_\_ Floor
- \_\_\_\_\_ Recessed
- \_\_\_\_\_ Inox
- \_\_\_\_\_ No matching RAL
- \_\_\_\_\_ IP67
- \_\_\_\_\_ IK08
- \_\_\_\_\_ Exterior
- \_\_\_\_\_ 685 lm

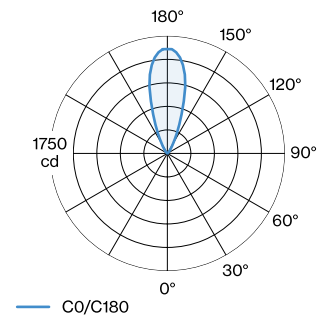
**LED Module**

- \_\_\_\_\_ 3000 K
- \_\_\_\_\_ CRI ≥ 90
- \_\_\_\_\_ L70 / 55000h
- \_\_\_\_\_ ≤ 3 SDCM (initial MacAdam)

**Optical**

- \_\_\_\_\_ Medium (standard)
- \_\_\_\_\_ beam angle 35°
- \_\_\_\_\_ UGR ≤ 10
- \_\_\_\_\_ CIE flux code: 23 46 70 0 100
- \_\_\_\_\_ ≥65° < 1500 cd/m²

**LIGHT DISTRIBUTION**



Round floor recessed luminaire made from stainless steel and glass; surface Inox; No matching RAL; recessed depth 135 mm; with COB (Chip on Board) technology for maximum efficiency; phase-cut dim; light colour 3000 K; ≤ 3 SDCM (initial MacAdam); CRI ≥ 90; beam angle 35°; degree of protection IP67; Class 2; light source replaceable by Wever & Ducré or by a professional with explicit authorization;

**Electrical**

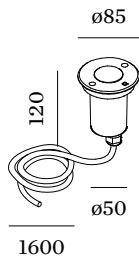
- \_\_\_\_\_ phase-cut dim
- \_\_\_\_\_ 220 - 240 V
- \_\_\_\_\_ system 8.0 W
- \_\_\_\_\_ Class II
- \_\_\_\_\_ Standard

**Physical**

- \_\_\_\_\_ diameter 85 mm
- \_\_\_\_\_ height 120 mm
- \_\_\_\_\_ 0.7 kg

**Cutout**

- \_\_\_\_\_ recessed depth 135 mm





**Maintenance Factor**

Operating Time [h]	10.000	20.000	30.000	40.000	50.000
LLMF	0.94	0.88	0.83	0.77	0.72
LSF	1	1	1	1	1

MF	$LMF \times RSMF \times LLMF \times LSF$	RSMF <sup>a</sup>	Room Surface Maintenance Factor
MF	Maintenance Factor	LLMF	Lamp Lumens Maintenance Factor
LMF <sup>a</sup>	Luminaire Maintenance Factor	LSF	Lamp Survival Factor

<sup>a</sup>According to "CIE 97, Maintenance of indoor electric lighting systems", 2005, ISBN 3-900-734-34-8. The values must be determined by the planner.

**MOUNTING ACCESSORIES**

**Ground Housing**

Type	Colour	Voltage	Ø-H (MM)	Item number
MAP 0.9   CHART 0.9   BLINK 2.0			132.125	90012202