



PROJECT _____

TYPE _____

NOTES _____

QUANTITY _____

DATE _____



LUMINAIRE

Ceiling
Surface
Black Matt
RAL 9011 ^a
IP65
Exterior
580 lm

LED Module

2700 K
CRI ≥ 90
L70 / 50000h
≤ 3 SDCM (initial MacAdam)
730 lm
91 lm/W ^b

Optical

Medium (standard)
beam angle 21°
CIE flux code: 93 99 100 100 100

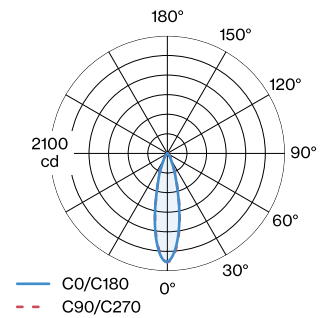
Electrical

phase-cut dim
220 - 240 V
system 8.1 W
Class I
Standard

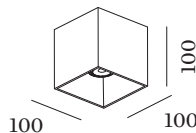
Physical

length 100 mm
width 100 mm
height 100 mm
0.67 kg

LIGHT DISTRIBUTION



Squared ceiling surface mounted downlight made from die-cast aluminium; surface Black Matt; powder coated; matt texture; RAL 9011; with COB (Chip on Board) technology for maximum efficiency; phase-cut dim; light colour 2700 K; ≤ 3 SDCM (initial MacAdam); CRI ≥ 90; 220 - 240 V; degree of protection IP65; Class I; optional single inner reflector and single inner cover available; light source replaceable by Wever & Ducré or by a professional with explicit authorization;



^a Colour may deviate slightly due to production conditions
^b Without electrical and optical losses


Maintenance Factor

Operating Time [h]	10.000	20.000	30.000	40.000	50.000
LLMF	0	0	0	0	0
LSF	1	1	1	1	1

$$MF = LMF \times RSMF \times LLMF \times LSF$$

MF Maintenance Factor

LMF^a Luminaire Maintenance Factor

RSMF^a Room Surface Maintenance Factor

LLMF Lamp Lumens Maintenance Factor

LSF Lamp Survival Factor

^aAccording to "CIE 97, Maintenance of indoor electric lighting systems", 2005, ISBN 3-900-734-34-8. The values must be determined by the planner.

OPTICAL ACCESSORIES
Single Inner Cover

Type	Colour	Voltage	L·W·H (MM)	Item number
BOX max. 10W	Black		62-62-49	911011B1
BOX max. 10W	Dark Grey Texture		62-62-49	911011D1
BOX max. 10W	Bronze		62-62-49	911011Q1
BOX max. 10W	White		62-62-49	911011W1

Single Inner Reflector

Type	Colour	Voltage	L·W·H (MM)	Item number
BOX max. 10W	Black		93.5-93.5-50.5	911211B1
BOX max. 10W	Dark Grey Texture		93.5-93.5-50.5	911211D1
BOX max. 10W	Bronze		93.5-93.5-50.5	911211Q1
BOX max. 10W	White		93.5-93.5-50.5	911211W1