



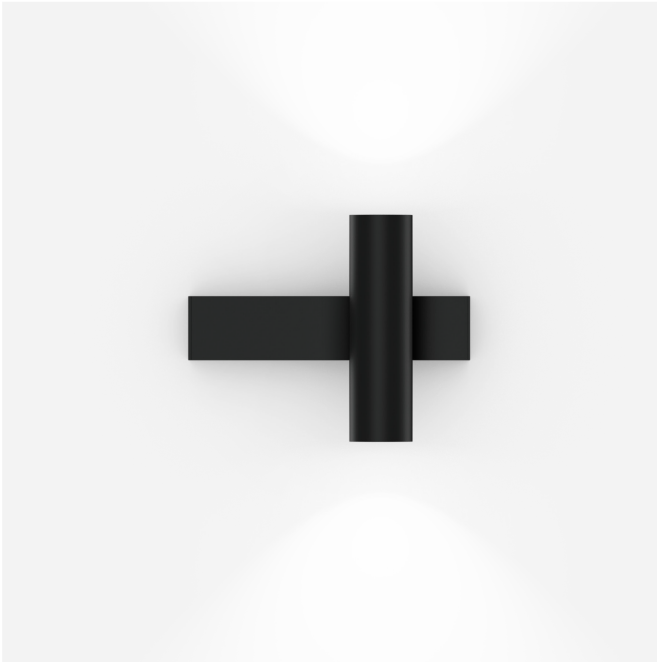
PROJECT _____

TYPE _____

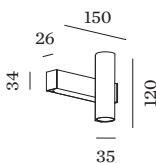
NOTES _____

QUANTITY _____

DATE _____



Wall surface luminaire made from die-cast aluminium; surface Black Matt; powder coated, matt texture; RAL 9011; up and down light emission; with COB (Chip on Board) technology for maximum efficiency; phase-cut dim; light colour 2700 K; ≤ 2 SDCM (initial MacAdam); CRI ≥ 90 ; beam angle 31°; degree of protection IP20; Class 1; driver included; optional honeycomb louver available, to reduce glare; light source replaceable by Wever & Ducré or by a professional with explicit authorization; control gear replaceable by end-user;



LUMINAIRE

Wall _____
 Surface _____
 Black Matt _____
 RAL 9011 ^a _____
 IP20 _____
 Interior _____
 520 lm _____

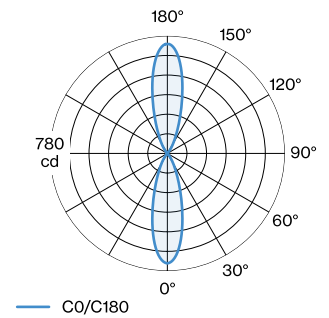
LED Module

2700 K _____
 CRI ≥ 90 _____
 L70 / 55000h _____
 ≤ 2 SDCM (initial MacAdam) _____

Optical

Medium (standard) _____
 beam angle 31° _____
 UGR ≤ 13 _____
 CIE flux code: 98 100 100 50 _____
 100 _____
 $\geq 65^\circ < 1500 \text{ cd/m}^2$ _____

LIGHT DISTRIBUTION



Electrical

phase-cut dim _____
 220 - 240 V _____
 system 7.7 W _____
 Class I _____
 Standard _____

Physical

diameter 35 mm _____
 height 120 mm _____
 0.28 kg _____

datasheet.quicksum.material

Aluminium _____

^a Colour may deviate slightly due to production conditions

376264B3



OPTICAL ACCESSORIES

Honeycomb Louver

Type	Colour	Voltage	Ø (MM)	Item number
BLIEK petit CENO LECA PIRRO QITO	Black		29	915230B0