



PROJECT _____

TYPE _____

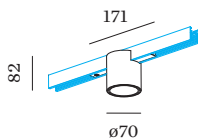
NOTES _____

QUANTITY _____

DATE _____



48V track downlight made from die-cast aluminium; cylindrical shape; for surface and suspended tracks; adapter in Black Matt; surface housing with COB (Chip on Board) technology for maximum efficiency; DALI dim; light colour 2700 K; ≤ 2 SDCM (initial MacAdam); CRI ≥ 90 ; CRI (Colour Rendering Index) ≥ 90 ; 48 V; degree of protection IP20; Class 3; UGR ≤ 19 ; light source replaceable by Wever & Ducré or by a professional with explicit authorization; control gear replaceable by an authorized professional;



LUMINAIRE

Ceiling
Track
Adapter: Black Matt
RAL 9011 ^a
Housing: Black Matt
Inner Reflector: Champagne
IP20
Interior
445 lm

LED Module

2700 K
CRI ≥ 90
L80 / 55000h
≤ 2 SDCM (initial MacAdam)
565 lm
93 lm/W ^b

Optical

Medium (standard)
beam angle 25°
UGR ≤ 19
CIE flux code: 91 96 99 100
100

Electrical

DALI-2
48 V
Class III
48 V
Standard

Physical

diameter 70 mm
height 82 mm
0.16 kg
adapter 171 mm
incl. STREX 48V track adapter

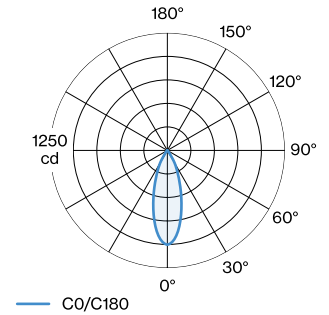
datasheet.quicksum.material

Aluminium

^a Colour may deviate slightly due to production conditions

^b Without electrical and optical losses

LIGHT DISTRIBUTION





Maintenance Factor

Operating Time [h]	10.000	20.000	30.000	40.000	50.000
LLMF	0.97	0.95	0.92	0.89	0.86
LSF	1	1	1	1	1

MF = LMF × RSMF × LLMF × LSF

MF = Maintenance Factor

LMF^a = Luminaire Maintenance Factor

RSMF^a = Room Surface Maintenance Factor

LLMF = Lamp Lumens Maintenance Factor

LSF = Lamp Survival Factor

^aAccording to "CIE 97, Maintenance of indoor electric lighting systems", 2005, ISBN 3-900-734-34-8. The values must be determined by the planner.

TRACK ACCESSORIES

Blank Cover 2m

Type	Colour	Voltage	L·W·H (MM)	Item number
STREX system	Black		2000-18-3	911002B0
STREX system	White		2000-18-3	911002W0

Connector

Type	Colour	Voltage	L·H (MM)	Item number
STREX system	Black		105-18	904431B0
STREX system	White		105-18	904431W0

End Cap

Type	Colour	Voltage	L·W·H (MM)	Item number
STREX system surface/suspended	Black		26-2.5-29	904221B0
STREX system surface/suspended	Champagne		26-2.5-29	904221M0
STREX system surface/suspended	Bronze		26-2.5-29	904221Q0
STREX system surface/suspended	White		26-2.5-29	904221W0

L-Connector

Type	Colour	Voltage	L·W·H (MM)	Item number
STREX system surface/suspended	Black		105-105-19	904232B0
STREX system surface/suspended	Champagne + Black		105-105-19	904232MB0
STREX system surface/suspended	Bronze + Black		105-105-19	904232QB0
STREX system surface/suspended	White		105-105-19	904232W0

L-Connector non-electrical

Type	Colour	Voltage	L·W·H (MM)	Item number
STREX system surface	Black		105-105-19	904233B0
STREX system surface	Champagne + Black		105-105-19	904233MB0
STREX system surface	Bronze + Black		105-105-19	904233QB0
STREX system surface	White		105-105-19	904233W0

Power Feed

Type	Colour	Voltage	L·H (MM)	Item number
STREX system	Black		112-18	904451B0
STREX system	White		112-18	904451W0


Suspension Set

Type	Colour	Voltage	L·W·H (MM)	Item number
STREX system 1.5m suspended	Black		80-23-1500	904341B0
STREX system 1.5m suspended	Stainless Steel		80-23-1500	904341I0
STREX system 3.0m suspended	Black		80-23-3000	904342B0
STREX system 3.0m suspended	Stainless Steel		80-23-3000	904342I0

T-Connector

Type	Colour	Voltage	L·W·H (MM)	Item number
STREX system surface	Black		275-146-18	904234B0
STREX system surface	White		275-146-18	904234W0

Wireless Casambi Control

Type	Colour	Voltage	L·H (MM)	Item number
STREX system	Black		143-58	904491B0
STREX system	White		143-58	904491W0

X-Connector

Type	Colour	Voltage	L·W·H (MM)	Item number
STREX system surface	White		275-275-18	904235B0
STREX system surface	Black		275-275-18	904235W0

ELECTRICAL ACCESSORIES
Ceiling Driver 100W

Type	Colour	Voltage	L·W·H (MM)	Item number
STREX system suspended	Black		439-26-44	904361B0
STREX system suspended	White		439-26-44	904361W0

Ceiling Driver 150W

Type	Colour	Voltage	L·W·H (MM)	Item number
STREX system suspended	Black		439-26-44	904371B0
STREX system suspended	White		439-26-44	904371W0

Driver

Type	Colour	Voltage	L·W·H (MM)	Item number
STREX system 100W		48V	350-30-18	90218901
STREX system 150W		48V	350-30-18	90218902

In Line Driver 100W

Type	Colour	Voltage	L·W·H (MM)	Item number
STREX system surface	Black		439-26-44	904262B0
STREX system surface	White		439-26-44	904262W0
STREX system suspended	Black		439-26-44	904362B0
STREX system suspended	White		439-26-44	904362W0

In Line Driver 150W

Type	Colour	Voltage	L·W·H (MM)	Item number
STREX system surface	Black		439-26-44	904272B0
STREX system surface	White		439-26-44	904272W0
STREX system suspended	Black		439-26-44	904372B0
STREX system suspended	White		439-26-44	904372W0


In Track Driver 100W

Type	Colour	Voltage	L-W-H (MM)	Item number
STREX system surface	Black		468-26-29	904263B0
STREX system surface	Champagne + Black		468-26-29	904263MB0
STREX system surface	Bronze + Black		468-26-29	904263QB0
STREX system surface	White		468-26-29	904263W0
STREX system surface	Black		438-16-18	904264B0
STREX system surface	White		438-16-18	904264W0
STREX system suspended	Black		3000	904363B0
STREX system suspended	Champagne + Black		3000	904363MB0
STREX system suspended	Bronze + Black		3000	904363QB0
STREX system suspended	White		3000	904363W0

In Track Driver 250W

Type	Colour	Voltage	L-W-H (MM)	Item number
STREX system surface	Black		438-26-29	904283B0
STREX system surface	Champagne + Black		438-26-29	904283MB0
STREX system surface	Bronze + Black		438-26-29	904283QB0
STREX system surface	White		438-26-29	904283W0
STREX system surface	Black		408-16-18	904284B0
STREX system surface	White		408-16-18	904284W0
STREX system suspended	Black		3000	904383B0
STREX system suspended	White		3000	904383W0

Suspended Remote Driver 100W

Type	Colour	Voltage	L-W-H (MM)	Item number
STREX system suspended	Black		150-26-44	904364B0
STREX system suspended	White		150-26-44	904364W0

Suspended Remote Driver 150W

Type	Colour	Voltage	L-W-H (MM)	Item number
STREX system suspended	Black		150-26-44	904374B0
STREX system suspended	White		150-26-44	904374W0

Suspended Remote Driver 250W

Type	Colour	Voltage	L-W-H (MM)	Item number
STREX system suspended	Black		150-26-44	904384B0
STREX system suspended	White		150-26-44	904384W0

TRACKS
Track Profile 1m

Type	Colour	Voltage	L-W-H (MM)	Item number
STREX system surface/suspended	Black		1000-26-29	904211B0
STREX system custom cut surface/suspended	Black		200-999-26-29	904211BOCC
STREX system surface/suspended	White		1000-26-29	904211W0
STREX system custom cut surface/suspended	White		200-999-26-29	904211WOCC


Track Profile 2m

Type	Colour	Voltage	L-W-H (MM)	Item number
STREX system surface/suspended	Black		2000·26·29	904212B0
STREX system custom cut surface/suspended	Black		1001-1999-26-29	904212B0CC
STREX system surface/suspended	Aluminium Brushed		2000·26·29	904212L0
STREX system custom cut surface/suspended	Aluminium Brushed		1001-1999-26-29	904212L0CC
STREX system surface/suspended	Champagne		2000·26·29	904212M0
STREX system custom cut surface/suspended	Champagne		1001-1999-26-29	904212M0CC
STREX system surface/suspended	Bronze		2000·26·29	904212Q0
STREX system custom cut surface/suspended	Bronze		1001-1999-26-29	904212Q0CC
STREX system surface/suspended	White		2000·26·29	904212W0
STREX system custom cut surface/suspended	White		1001-1999-26-29	904212W0CC
STREX system suspended indirect light	Black		2000·26·29	904512B5
STREX system custom cut suspended indirect light	Black		1000-1999-26-29	904512B5CC
STREX system suspended indirect light	White		2000·26·29	904512W5
STREX system custom cut suspended indirect light	White		1000-1999-26-29	904512W5CC

Track Profile 3m

Type	Colour	Voltage	L-W-H (MM)	Item number
STREX system surface/suspended	Black		3000·26·29	904213B0
STREX system custom cut surface/suspended	Black		2001-1999-26-29	904213B0CC
STREX system surface/suspended	Aluminium Brushed		3000·26·29	904213L0
STREX system custom cut surface/suspended	Aluminium Brushed		2001-1999-26-29	904213L0CC
STREX system surface/suspended	Champagne		3000·26·29	904213M0
STREX system custom cut surface/suspended	Champagne		2001-1999-26-29	904213M0CC
STREX system surface/suspended	Bronze		3000·26·29	904213Q0
STREX system custom cut surface/suspended	Bronze		2001-1999-26-29	904213Q0CC
STREX system surface/suspended	White		3000·26·29	904213W0
STREX system custom cut surface/suspended	White		2001-1999-26-29	904213W0CC
STREX system suspended indirect light	Black		3000·26·29	904513B5
STREX system custom cut suspended indirect light	Black		2001-1999-26-29	904513B5CC
STREX system suspended indirect light	White		3000·26·29	904513W5
STREX system custom cut suspended indirect light	White		2001-1999-26-29	904513W5CC