



**PROJECT** \_\_\_\_\_

**TYPE** \_\_\_\_\_

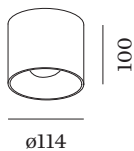
**NOTES** \_\_\_\_\_

**QUANTITY** \_\_\_\_\_

**DATE** \_\_\_\_\_



Cylindrical ceiling surface mounted downlight made from die-cast aluminium; surface Aluminium Brushed; RAL 9006; with COB (Chip on Board) technology for maximum efficiency; DALI dim; light colour 2700 K;  $\leq 3$  SDCM (initial MacAdam); CRI  $\geq 90$ ; 220 - 240 V; degree of protection IP20; Class 1; UGR  $\leq 13$ ; VDU compatible workplace luminaire according to DIN EN 12464-1; luminance above  $65^\circ \leq 1500$  cd/m<sup>2</sup>; optional single inner cover available; light source replaceable by Wever & Ducré or by a professional with explicit authorization;



**LUMINAIRE**

Ceiling \_\_\_\_\_  
 Surface \_\_\_\_\_  
 Aluminium Brushed \_\_\_\_\_  
 RAL 9006 <sup>a</sup> \_\_\_\_\_  
 IP20 \_\_\_\_\_  
 Interior \_\_\_\_\_  
 590 lm \_\_\_\_\_

**LED Module**

2700 K \_\_\_\_\_  
 CRI  $\geq 90$  \_\_\_\_\_  
 L70 / 50000h \_\_\_\_\_  
 $\leq 3$  SDCM (initial MacAdam) \_\_\_\_\_  
 730 lm \_\_\_\_\_  
 91 lm/W <sup>b</sup> \_\_\_\_\_

**Optical**

Medium (standard) \_\_\_\_\_  
 beam angle 21° \_\_\_\_\_  
 CIE flux code: 93 99 100 100 \_\_\_\_\_  
 100 \_\_\_\_\_

**Electrical**

DALI \_\_\_\_\_  
 220 - 240 V \_\_\_\_\_  
 system 8.1 W \_\_\_\_\_  
 Class I \_\_\_\_\_  
 Standard \_\_\_\_\_

**Physical**

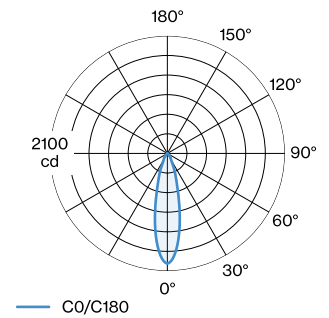
diameter 114 mm \_\_\_\_\_  
 height 100 mm \_\_\_\_\_  
 0.7 kg \_\_\_\_\_

**datasheet.quicksum.material**

Aluminium \_\_\_\_\_

<sup>a</sup> Colour may deviate slightly due to production conditions  
<sup>b</sup> Without electrical and optical losses

**LIGHT DISTRIBUTION**





**Maintenance Factor**

Operating Time [h]	10.000	20.000	30.000	40.000	50.000
LLMF	0	0	0	0	0
LSF	1	1	1	1	1

MF	$LMF \times RSMF \times LLMF \times LSF$	RSMF <sup>a</sup>	Room Surface Maintenance Factor
MF	Maintenance Factor	LLMF	Lamp Lumens Maintenance Factor
LMF <sup>a</sup>	Luminaire Maintenance Factor	LSF	Lamp Survival Factor

<sup>a</sup>According to "CIE 97, Maintenance of indoor electric lighting systems", 2005, ISBN 3-900-734-34-8. The values must be determined by the planner.

**OPTICAL ACCESSORIES**

**Single Inner Cover**

Type	Colour	Voltage	Ø·H (MM)	Item number
RAY   max. 10W	Black		67·54	911041B1
RAY   max. 10W	Gold		67·54	911041G1
RAY   max. 10W	Champagne		67·54	911041M1
RAY   max. 10W	White		67·54	911041W1