



PROJECT _____

TYPE _____

NOTES _____

QUANTITY _____

DATE _____



LUMINAIRE

- _____ Ceiling
- _____ Surface
- _____ Gold Brushed
- _____ No matching RAL
- _____ IP20
- _____ Interior
- _____ 1220 lm

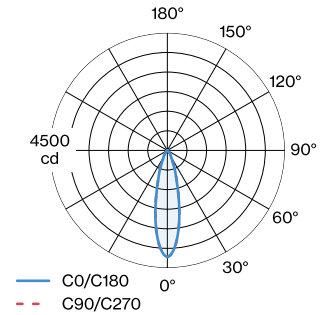
LED Module

- _____ 3000 K
- _____ CRI ≥ 90
- _____ L70 / 50000h
- _____ ≤ 3 SDCM (initial MacAdam)
- _____ 1520 lm
- _____ 94 lm/W^a

Optical

- _____ Medium (standard)
- _____ beam angle 21°
- _____ CIE flux code: 93 99 100 100 100

LIGHT DISTRIBUTION



Hexagonal ceiling surface mounted downlight made from die-cast aluminium; surface Gold Brushed; No matching RAL; with COB (Chip on Board) technology for maximum efficiency; phase-cut dim; light colour 3000 K; ≤ 3 SDCM (initial MacAdam); CRI ≥ 90; 220 - 240 V; degree of protection IP20; Class 1; UGR ≤ 13; VDU compatible workplace luminaire according to DIN EN 12464-1; luminance above 65° ≤ 1500 cd/m²; optional single inner cover available; light source replaceable by Wever & Ducré or by a professional with explicit authorization;

Electrical

- _____ phase-cut dim
- _____ 220 - 240 V
- _____ system 16.1 W
- _____ Class I
- _____ Standard

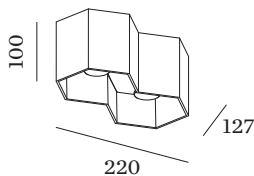
Physical

- _____ length 220 mm
- _____ width 127 mm
- _____ height 100 mm
- _____ 1.13 kg

datasheet.quicksum.material

Aluminium

^a Without electrical and optical losses





Maintenance Factor

Operating Time [h]	10.000	20.000	30.000	40.000	50.000
LLMF	0	0	0	0	0
LSF	1	1	1	1	1

MF	$LMF \times RSMF \times LLMF \times LSF$	RSMF ^a	Room Surface Maintenance Factor
MF	Maintenance Factor	LLMF	Lamp Lumens Maintenance Factor
LMF ^a	Luminaire Maintenance Factor	LSF	Lamp Survival Factor

^aAccording to "CIE 97, Maintenance of indoor electric lighting systems", 2005, ISBN 3-900-734-34-8. The values must be determined by the planner.

OPTICAL ACCESSORIES

Single Inner Cover

Type	Colour	Voltage	L·W·H (MM)	Item number
HEXO max. 10W	Black		77.4-67-54	911031B1
HEXO max. 10W	Gold		77.4-67-54	911031G1
HEXO max. 10W	White		77.4-67-54	911031W1