



PROJECT _____

TYPE _____

NOTES _____

QUANTITY _____

DATE _____



LUMINAIRE

Ceiling
Surface
Gold Brushed
No matching RAL
IP20
Interior
1180 lm

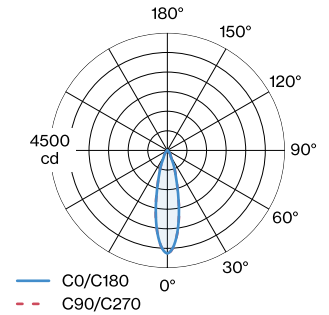
LED Module

2700 K
CRI ≥ 90
L70 / 50000h
≤ 3 SDCM (initial MacAdam)
1460 lm
91 lm/W ^a

Optical

Medium (standard)
beam angle 21°
CIE flux code: 93 99 100 100 100

LIGHT DISTRIBUTION



Hexagonal ceiling surface mounted downlight made from die-cast aluminium; surface Gold Brushed; No matching RAL; with COB (Chip on Board) technology for maximum efficiency; phase-cut dim; light colour 2700 K; ≤ 3 SDCM (initial MacAdam); CRI ≥ 90; 220 - 240 V; degree of protection IP20; Class 1; UGR ≤ 13; VDU compatible workplace luminaire according to DIN EN 12464-1; luminance above 65° ≤ 1500 cd/m²; optional single inner cover available; light source replaceable by Wever & Ducré or by a professional with explicit authorization;

Electrical

phase-cut dim
220 - 240 V
system 16.1 W
Class I
Standard

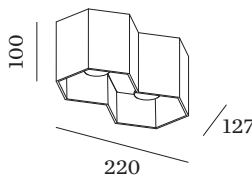
Physical

length 220 mm
width 127 mm
height 100 mm
1.13 kg

datasheet.quicksum.material

Aluminium

^a Without electrical and optical losses



[186658G3] The technical data represent rated values for an ambient temperature of 25°C. The data values for the luminous flux are initially subject to a tolerance of +/- 10%, those for the electrical connected load are initially subject to a tolerance of +/- 10%, and those for the colour temperature are initially subject to a tolerance of +/- 150 K. No liability is assumed for typographical or printing errors. The general terms and conditions of Wever & Ducré BV apply.



Maintenance Factor

Operating Time [h]	10.000	20.000	30.000	40.000	50.000
LLMF	0	0	0	0	0
LSF	1	1	1	1	1

$$MF = LMF \times RSMF \times LLMF \times LSF$$

MF Maintenance Factor

LMF^a Luminaire Maintenance Factor

RSMF^a Room Surface Maintenance Factor

LLMF Lamp Lumens Maintenance Factor

LSF Lamp Survival Factor

^aAccording to "CIE 97, Maintenance of indoor electric lighting systems", 2005, ISBN 3-900-734-34-8. The values must be determined by the planner.

OPTICAL ACCESSORIES

Single Inner Cover

Type	Colour	Voltage	L·W·H (MM)	Item number
HEXO max. 10W	Black		77.4-67-54	911031B1
HEXO max. 10W	Gold		77.4-67-54	911031G1
HEXO max. 10W	White		77.4-67-54	911031W1