



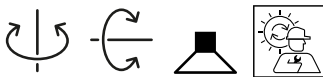
PROJECT

TYPE

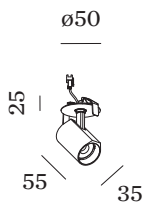
NOTES

QUANTITY

DATE



Ceiling recessed spotlight made from die-cast aluminium with round base; surface Black Matt + Champagne; powder coated; matt texture + wet painted; smooth semi glossy; No matching RAL; inner ring black; installation without tools using blade springs; suitable for ceiling thickness of 4-26 mm; recessed depth 85 mm; with COB (Chip on Board) technology for maximum efficiency; light colour 2000 - 3000 K colour warm dimming; ≤ 3 SDCM (initial MacAdam); CRI ≥ 90 ; beam angle 39°; 350° rotatable and 90° tiltable; degree of protection IP20; Class 3; IC rated; driver not included; light source replaceable by Wever & Ducré or by a professional with explicit authorization;



LUMINAIRE

Ceiling
Semi-Recessed
tilt max 90 °
rotation 350 °
Black Matt + Champagne
No matching RAL
IP20
IC rated
Interior
545 lm

LED Module

colour warm dimming
2000 - 3000 K
CRI ≥ 90
L70 / 50000h
 ≤ 3 SDCM (initial MacAdam)

Optical

Medium (standard)
beam angle 39°
CIE flux code: 98 100 100 100 100

Electrical

excl. driver
16 V
Class III
Standard

Physical

diameter 35 mm
height 55 mm
0.12 kg
wire springs

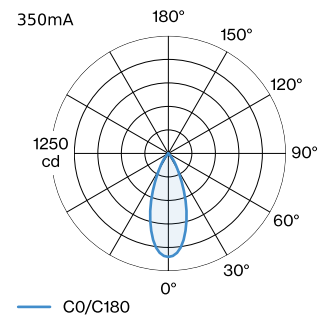
Cutout

diameter 45-47 mm
min. ceiling thickness 4 mm
max. ceiling thickness 26 mm
recessed depth 85 mm

datasheet.quicksum.material

Aluminium

LIGHT DISTRIBUTION



[176161CH9] The technical data represent rated values for an ambient temperature of 25°C. The data values for the luminous flux are initially subject to a tolerance of +/- 10%, those for the electrical connected load are initially subject to a tolerance of +/- 10%, and those for the colour temperature are initially subject to a tolerance of +/- 150 K. No liability is assumed for typographical or printing errors. The general terms and conditions of Wever & Ducré BV apply.


CONE DIAGRAM

medium (standard) 390mA

h (m)	E0° (lx)	ø (m)
1	1100	0.71
2	280	1.43
3	120	2.14
4	70	2.86
5	40	3.57

Maintenance Factor

Operating Time [h]	10.000	20.000	30.000	40.000	50.000
LLMF	0.95	0.91	0.86	0.82	0.77
LSF	1	1	1	1	1

 MF $LMF \times RSMF \times LLMF \times LSF$

MF Maintenance Factor

 RSMF^a Room Surface Maintenance Factor

LLMF Lamp Lumens Maintenance Factor

 LMF^a Luminaire Maintenance Factor

LSF Lamp Survival Factor

^aAccording to "CIE 97, Maintenance of indoor electric lighting systems", 2005, ISBN 3-900-734-34-8. The values must be determined by the planner.

ELECTRICAL ACCESSORIES
Driver

Type	Colour	Voltage	L·W·H (MM)	Item number
6W 350mA 8.6-18V		8.6-18V	67·39·22	90213303
10W 350mA 13-26V phase-cut dim		13-26V	115·41·25	90223406
14W 350mA 10-40V DALI-2 push dim		10-40V	166·29·21	90243502

OPTICAL ACCESSORIES
Honeycomb Louver

Type	Colour	Voltage	Ø (MM)	Item number
BLIEK petit CENO LECA PIRRO QITO	Black		29	915230B0