

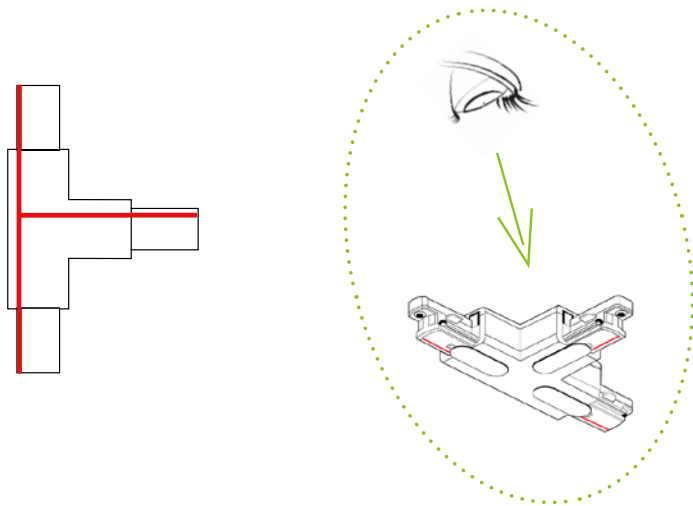
1-PHASE TRACKS

HOW TO READ AND UNDERSTAND THE COMPONENT DRAWINGS

All component drawings are shown as top view

TOP VIEW

Schematic presentation

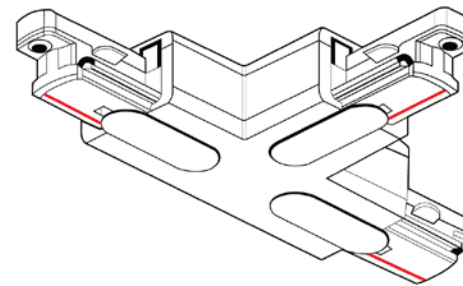


— = indicates ground

Simplified representation of the track components with an indication view where the polarity lines are located.

BOTTOM VIEW

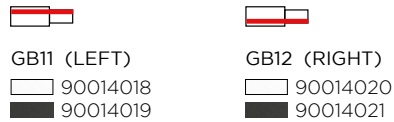
Detailed presentation



1-PHASE TRACKS

GLOBAL 1-PHASE TRACK COMPONENTS - OVERVIEW

End feed



Middle feed



Straight connector

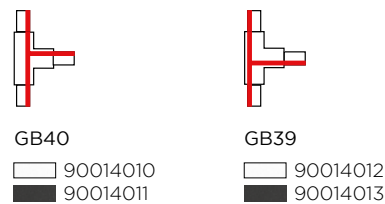


L-feed

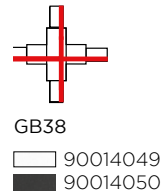


— = indicates ground

T-feed



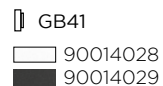
X-feed



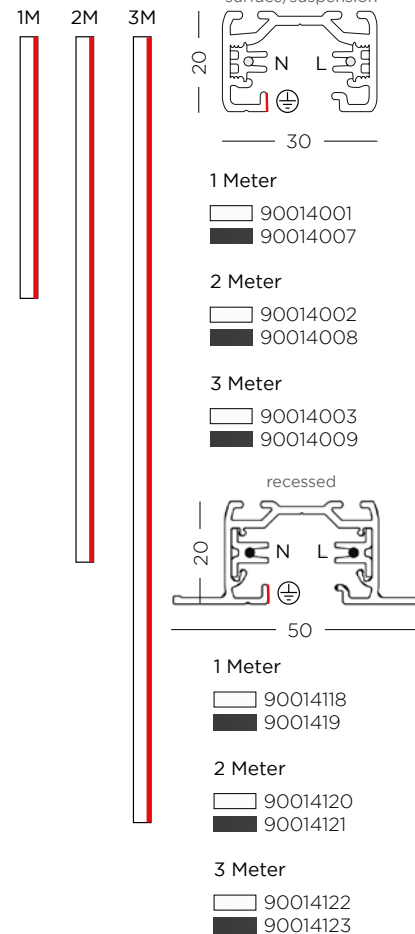
Adjustable corner



End cap



1-phase tracks



drawings are made in top view

Some components are applied as FEED with the sole purpose to provide power to the electrical circuit:

GB11 - END FEED LEFT
GB12 - END FEED RIGHT

Other components are applied as FEED and CONNECTOR at the same time, serving to provide power to the electrical circuit as well as mechanical junction part:

GB14 - MIDDLE FEED
GB34 - L-FEED LEFT
GB35 - L-FEED RIGHT
GB36 - T-FEED
GB37 - T-FEED
GB38 - X-FEED
GB39 - T-FEED
GB40 - T-FEED

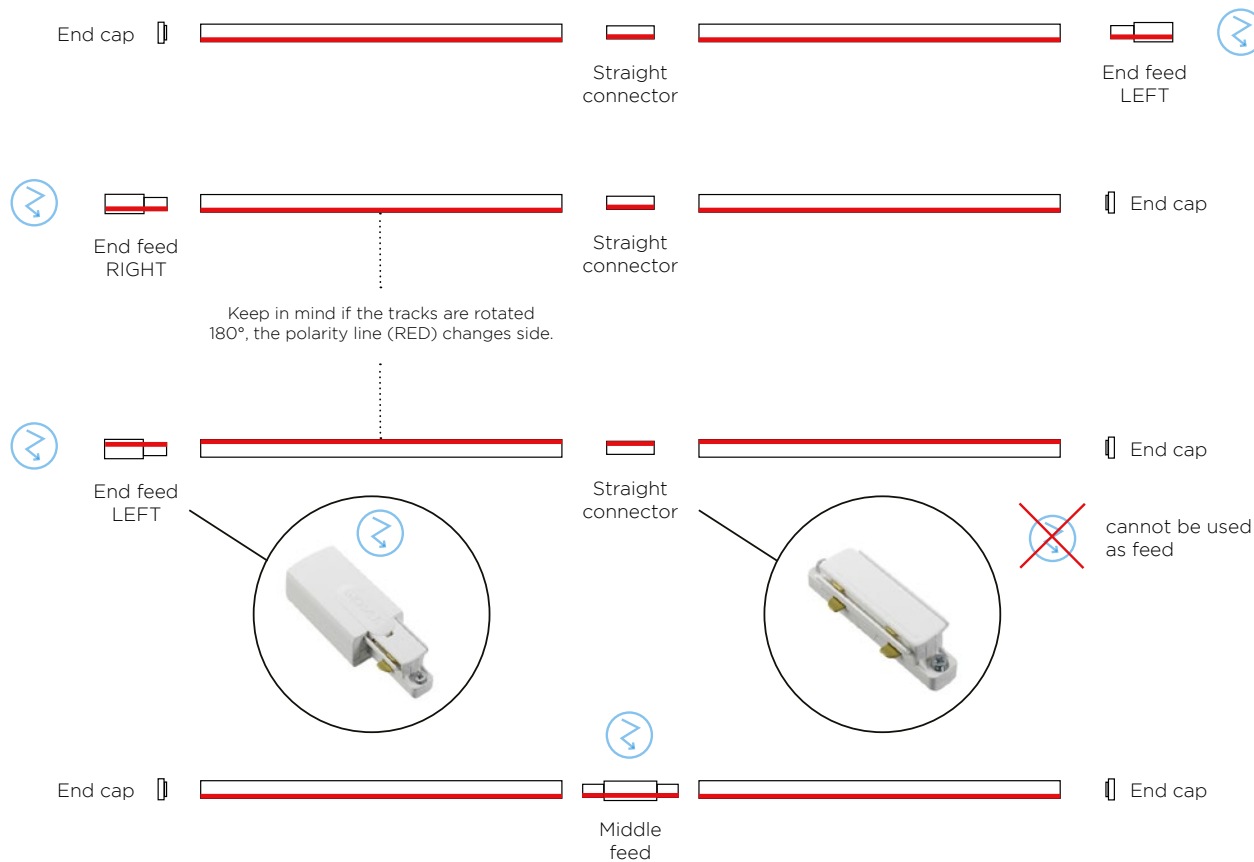
Items that cannot be used as FEED:

GB41 - END CAP
GB24 - ADJUSTABLE CORNER
GB21 - STRAIGHT CONNECTOR

1-PHASE TRACKS

HOW TO MAKE A STRAIGHT LINE?

Depending on the polarity line of the tracks you have to choose between different types of connectors and feeds.



USED COMPONENTS

Middle feed



Straight connector



End feed



LEFT



RIGHT

End cap



— = indicates ground



= power connection (220-240VAC)

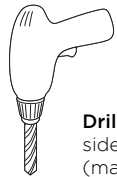
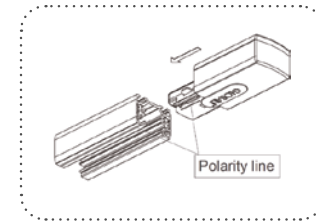
[Article codes on page 2](#)

drawings are made in top view

1-PHASE TRACKS

INSTALLATION GUIDE - ELECTRICAL CONNECTION TO THE TRACK (1/2)

Connecting the power cable to the feeder unit.



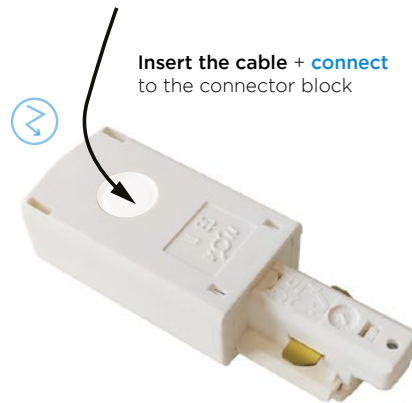
Drill a hole in the back-side of the component (marked with a circle)



Step 1

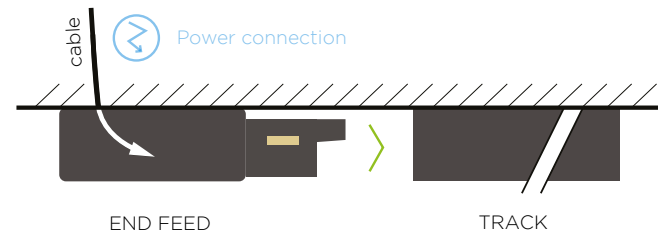


3 wires*



Insert the cable + connect to the connector block

Step 2 (more info on page 5)



Step 3

Connect both component and the track to each other

*A 1-phase track enables you to make 1 electrical circuit only into 1 track system. Therefore a 3 wired cable is needed like shown below.

wire 1 > L1
wire 2 > N
wire 3 > Ground

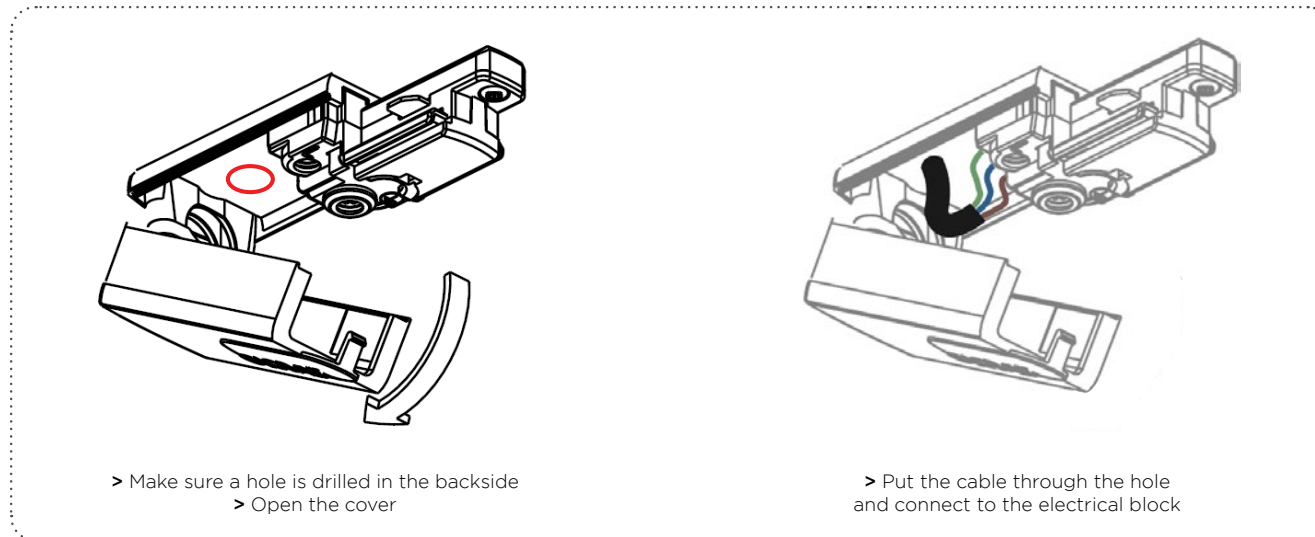
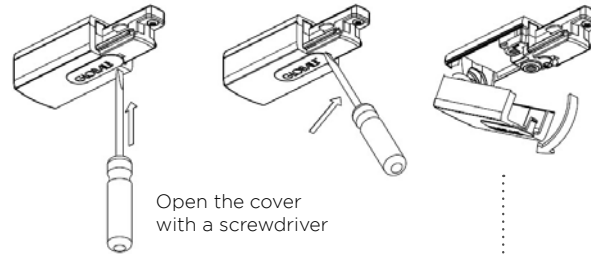


WEVER & DUCRÉ
LIGHTING

1-PHASE TRACKS

INSTALLATION GUIDE - ELECTRICAL CONNECTION TO THE TRACK (2/2)

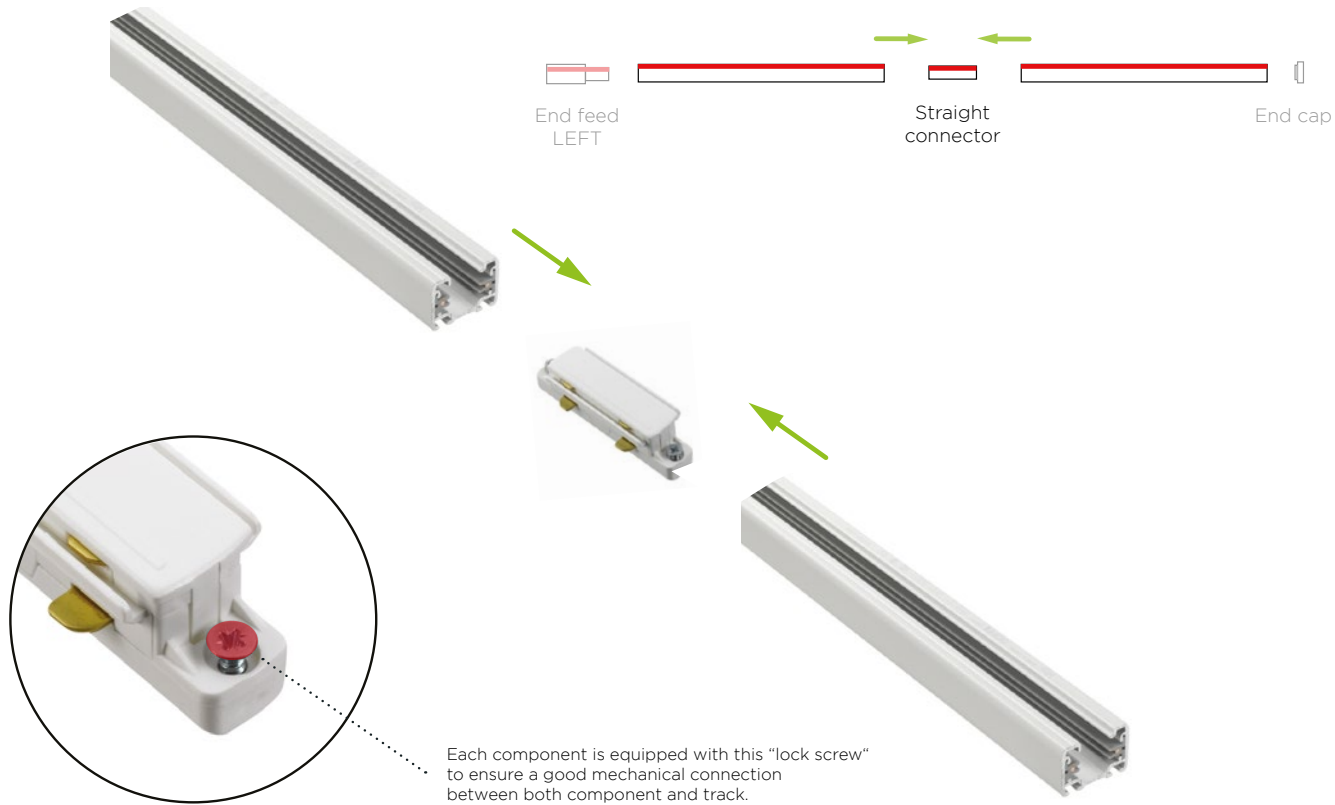
Connecting the power cable to the feeder unit.



1-PHASE TRACKS

INSTALLATION GUIDE - CONNECT MULTIPLE TRACKS (MECHANICAL AND ELECTRICAL)

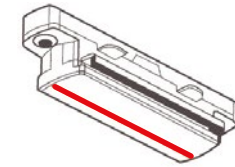
In order to make a **mechanical and electrical connection** between 2 or more tracks, a straight connector is needed. This straight connector needs to slide inside both tracks until it is completely inside both tracks.





USED COMPONENTS

Straight connector

GB21



 cannot be used as a feeder unit

 = indicates ground

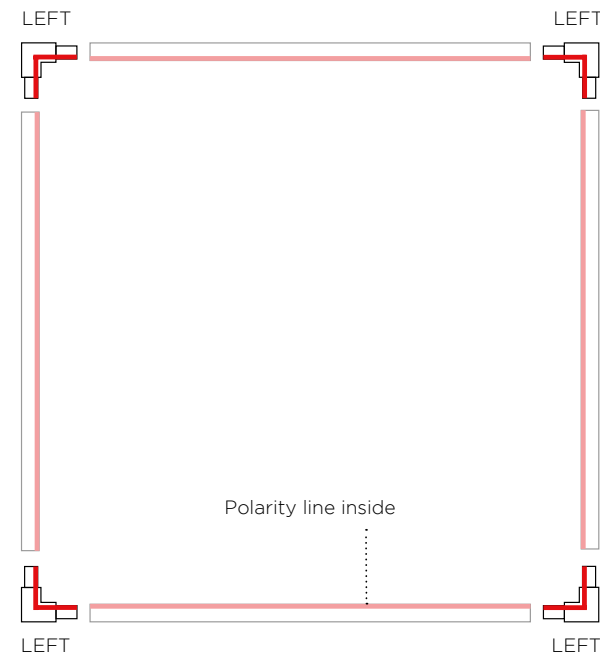
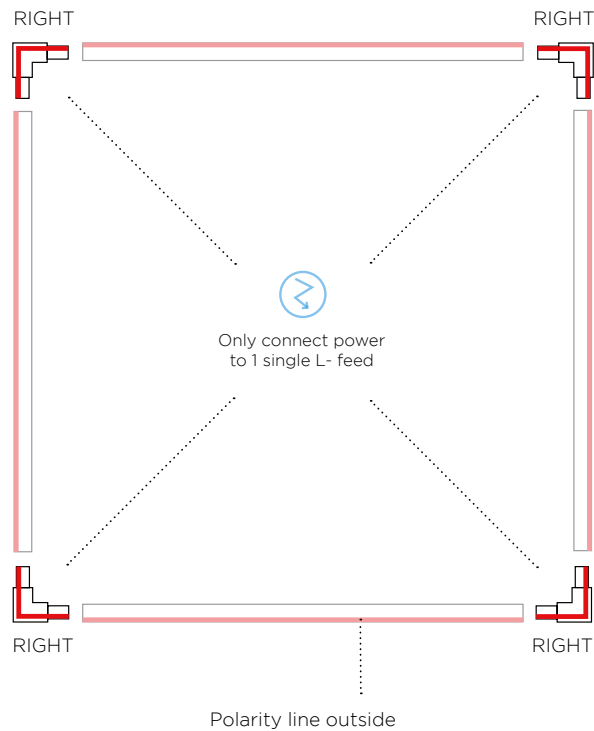
drawings are made in top view

Article codes on page 2

1-PHASE TRACKS

HOW TO MAKE A SQUARE? - WHEN THE POWER IS LOCATED IN ONE OF THE CORNERS

When you make a composition with multiple corners and each corner turns in the same way, you can keep using the same L-feed. In this composition each L-feed can be used as power feeder unit. **Only connect power to 1 single L-feed per circuit.** There is no need to electrically interrupt the circuit.





USED COMPONENTS

L-feed 

LEFT 

RIGHT 

 = indicates ground

 = power connection (220-240VAC)

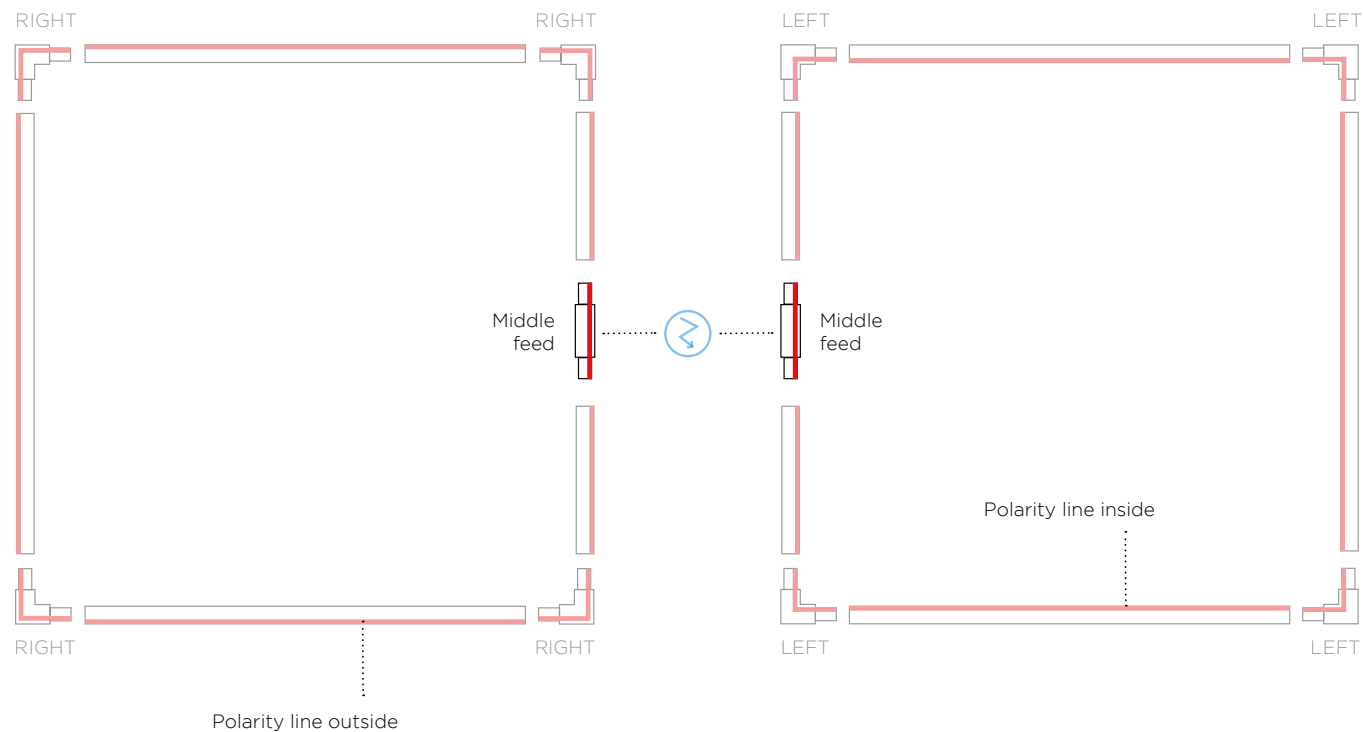
[Article codes on page 2](#)

drawings are made in top view

1-PHASE TRACKS

HOW TO MAKE A SQUARE? - WHEN THE POWER IS LOCATED AT RANDOM (NOT AT ONE OF THE CORNERS)

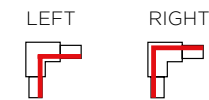
The power can also be connected by using a **middle feed** instead of an L- feed as feeder unit in case the power is located at a more random location. There is no need to electrically interrupt the circuit.



drawings are made in top view

USED COMPONENTS

L-feed
.....



Middle feed
.....



————— = indicates ground

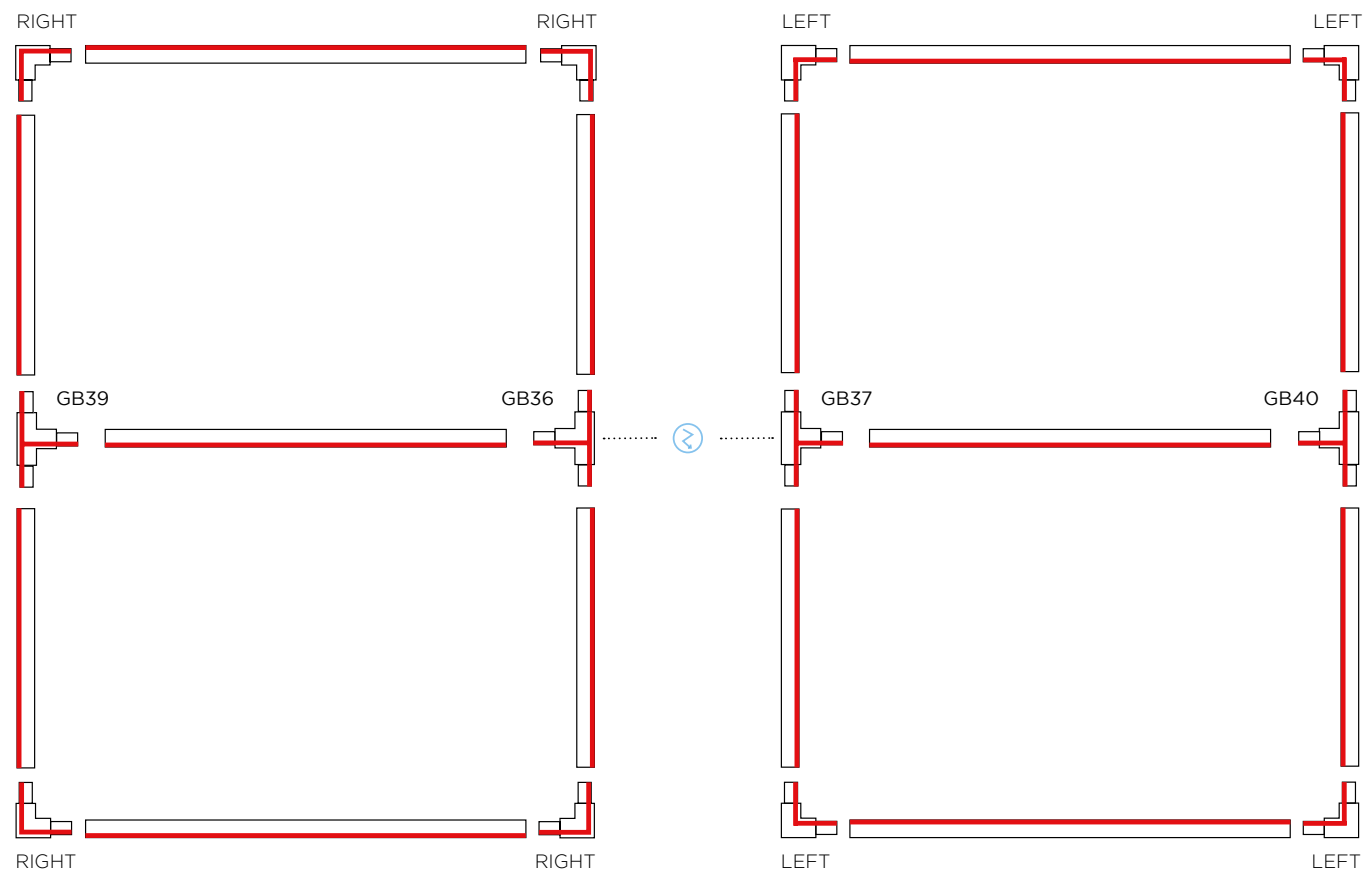
= power connection (220-240VAC)

[Article codes on page 2](#)

1-PHASE TRACKS

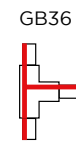
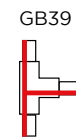
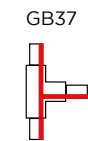
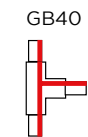
HOW TO MAKE A DOUBLE SQUARE?

In this composition each L-feed or T-feed can be used as power feeder unit. **Only connect power to 1 single L- or T- feed per circuit.** There is no need to electrically interrupt the circuit.

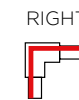
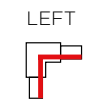


USED COMPONENTS


T-feed



L-feed



— = indicates ground

 = power connection (220-240VAC)

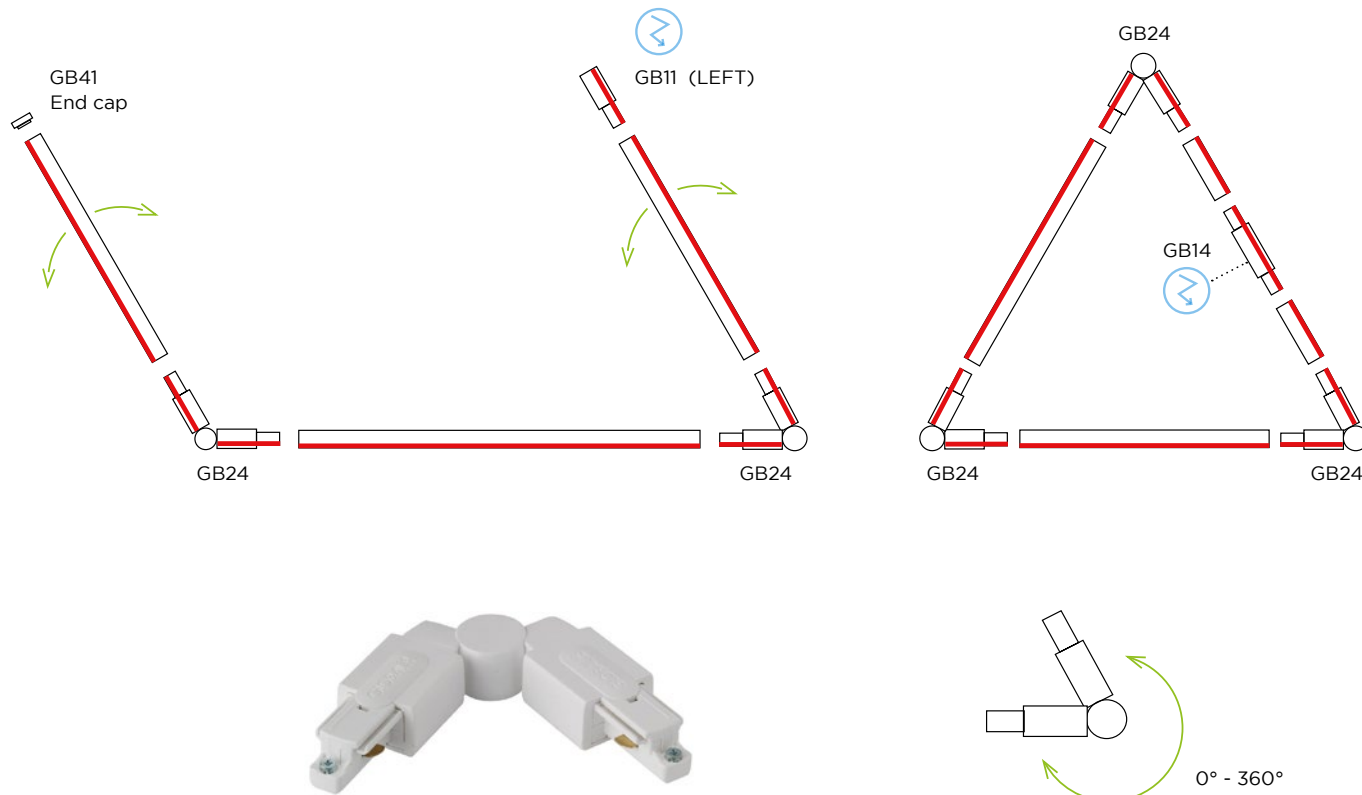
[Article codes on page 2](#)

drawings are made in top view

1-PHASE TRACKS

HOW TO MAKE A COMPOSITION WITH VARIABLE ANGLES? - ADJUSTABLE CORNER

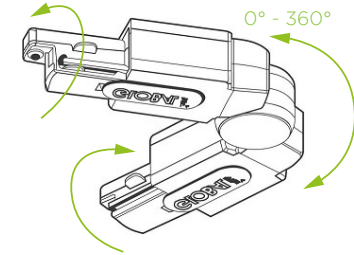
Thanks to the adjustable corner it is possible to make compositions with a wide variety of different angles. (0° - 360°)




IMPORTANT


As the adjustable corner cannot be used as a power feeder, another feeder unit will be needed; for example an end feed or middle feed to provide electricity.


90° - 180° - 270°



90° - 180° - 270°

 cannot be used as a feeder unit

 = indicates ground

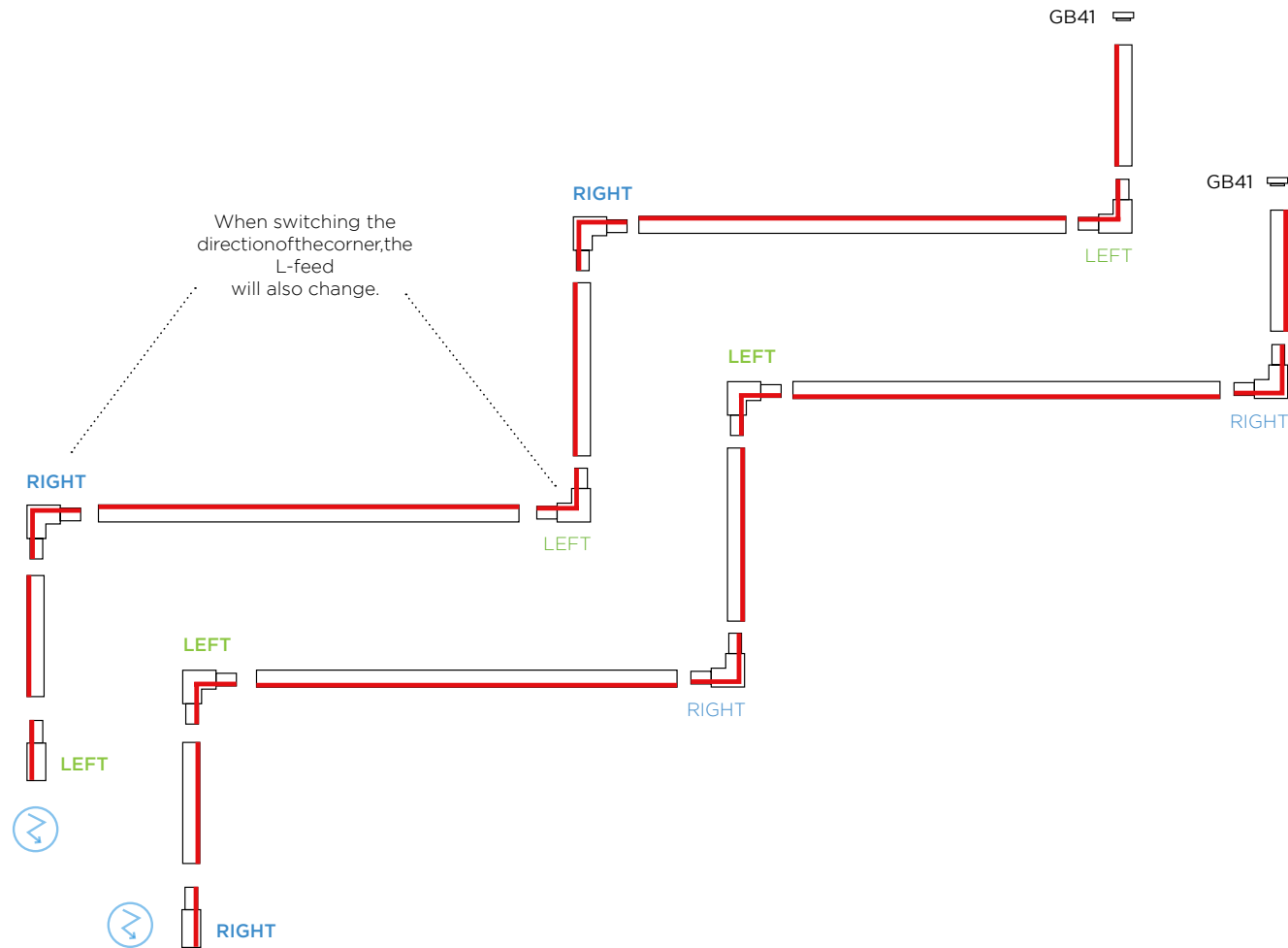
 = power connection (220-240VAC)

[Article codes on page 2](#)

drawings are made in top view

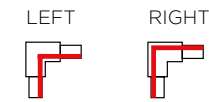
1-PHASE TRACKS

HOW TO MAKE A LINE WITH MULTIPLE CORNERS?



USED COMPONENTS

L-feed



End feed



End cap



— = indicates ground

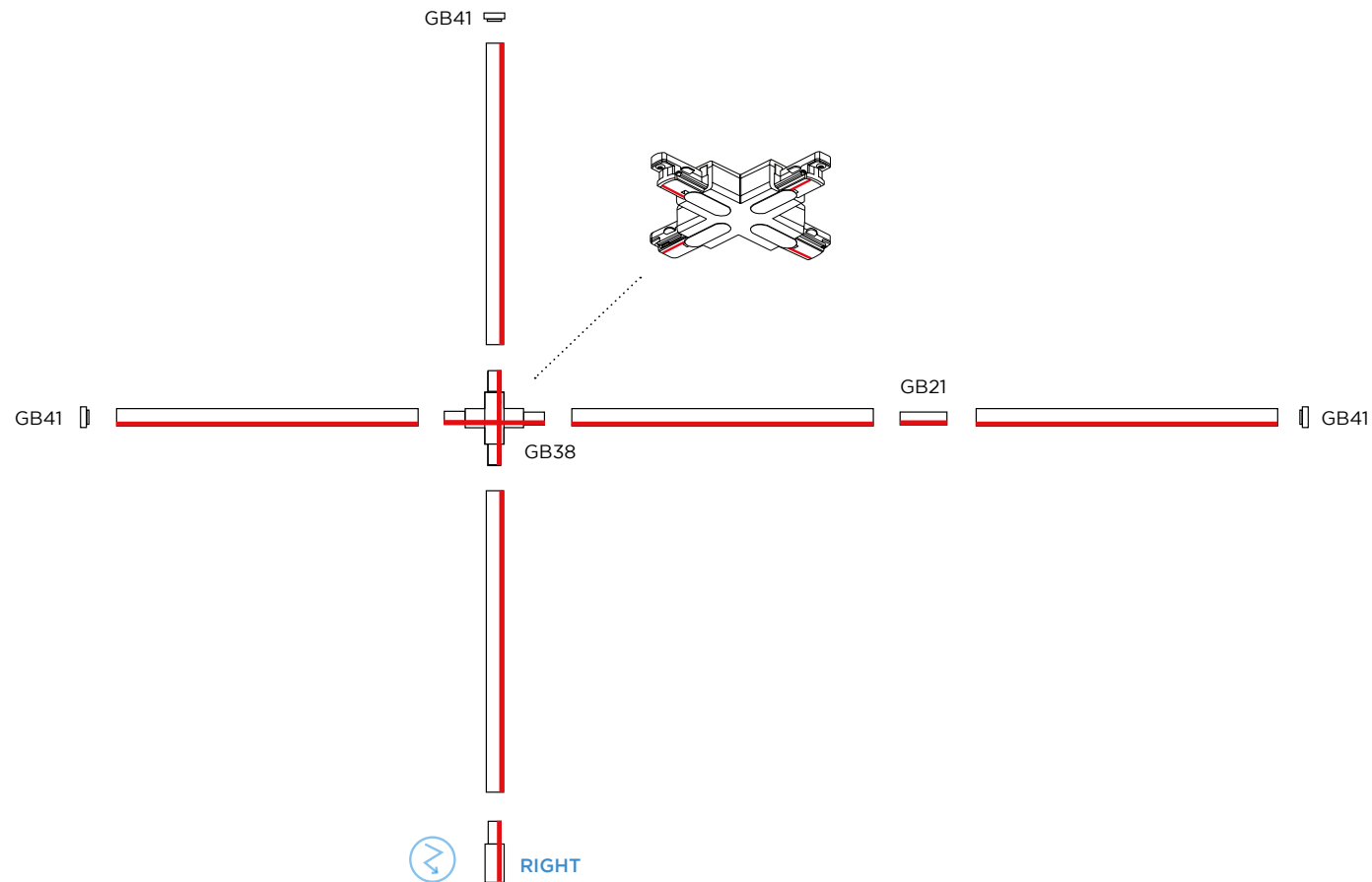
= power connection (220-240VAC)

[Article codes on page 2](#)

drawings are made in top view

1-PHASE TRACKS

HOW TO MAKE A CROSS COMPOSITION?




USED COMPONENTS


X-feed
 GB38

End feed
 RIGHT

Straight connector
GB21


End cap
GB41


 = indicates ground

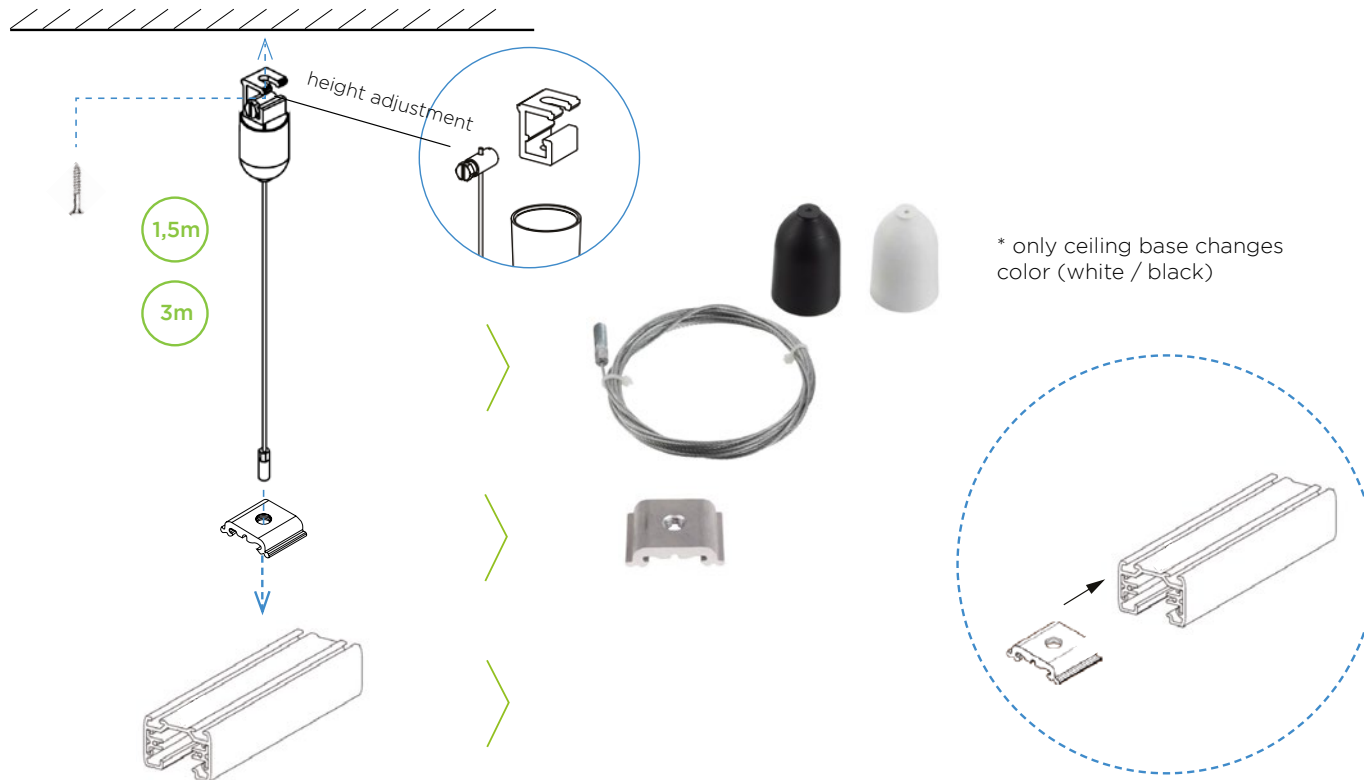
 = power connection (220-240VAC)

[Article codes on page 2](#)

DRAWINGS ARE MADE IN TOP VIEW

1-PHASE TRACKS

HOW TO SUSPEND A 1-PHASE TRACK?



USED COMPONENTS

Wire suspension



1,5 meter cable set:

- 90014101
- 90014102

OR

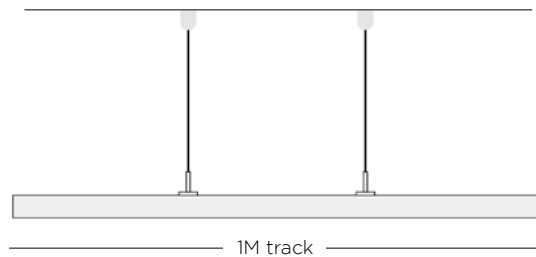
3 meter cable set:

- 90014103
- 90014104

drawings are made in top view

1-PHASE TRACKS

HOW TO SUSPEND A 1-PHASE TRACK?



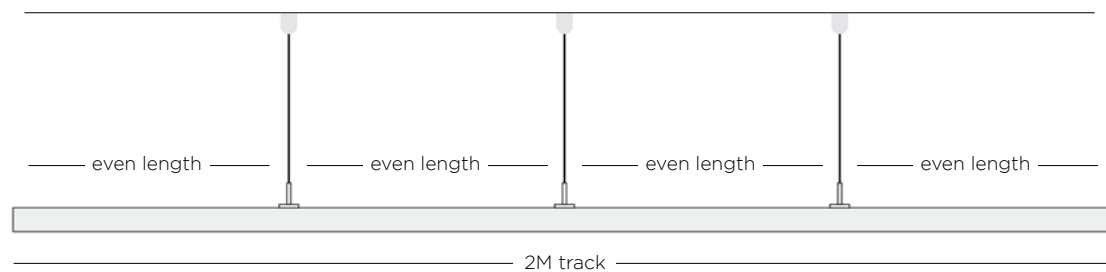
- GENERAL RULE -

meter track + 1 = # suspensions

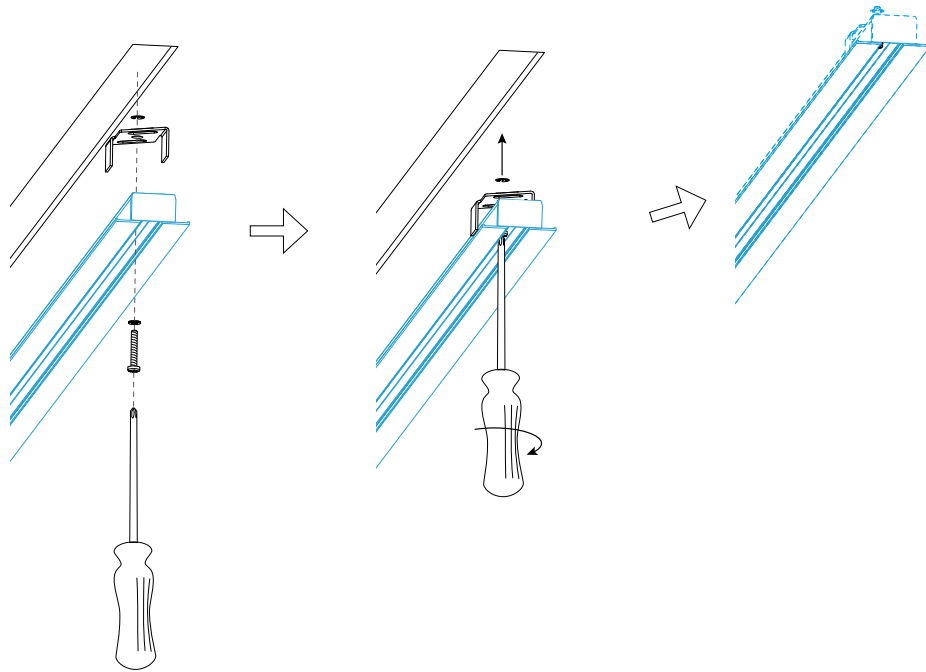
1M track = 2 suspensions
2M track = 3 suspensions
3M track = 4 suspensions

1M track uses 2 suspensions which divides the track in 3 even distances. $1M / 3 = 33cm$ between the suspensions.

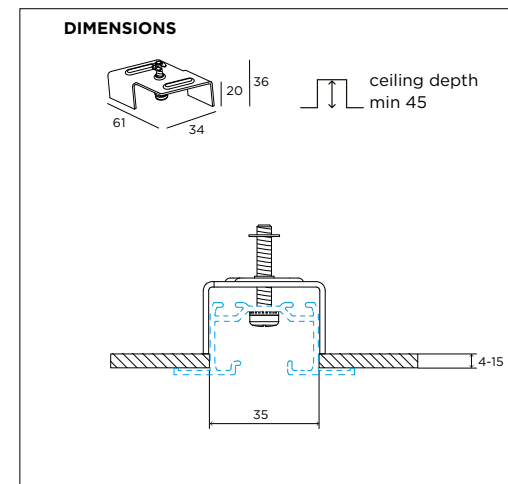
2M track uses 3 suspensions which divides the track in 4 even distances. $2M / 4 = 50cm$ between the suspensions.



1-PHASE TRACKS



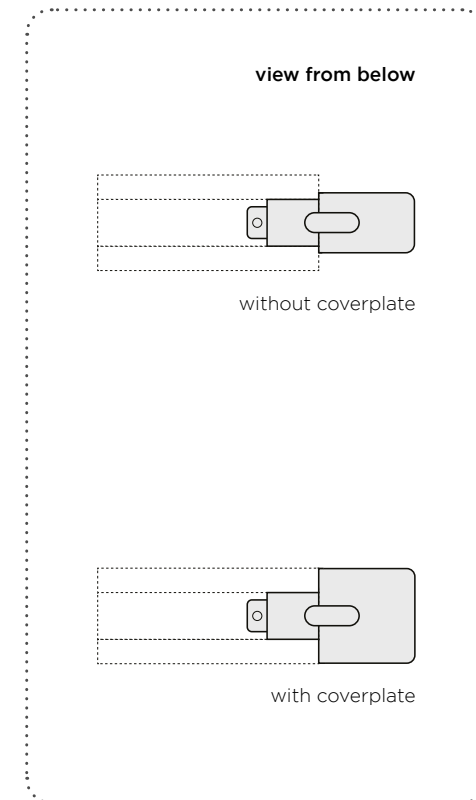
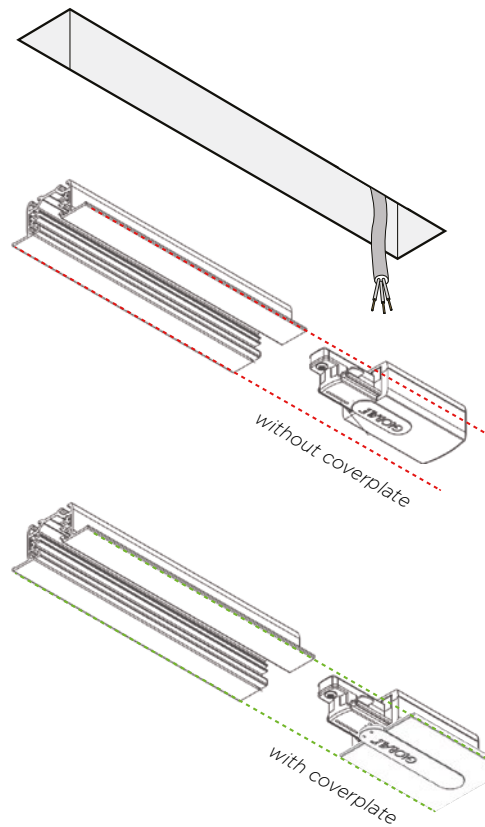
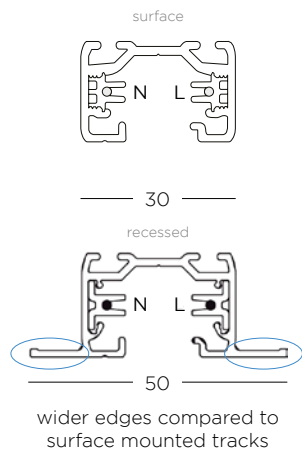
| Track length | brackets |
|--------------|-------------------------|
| 1.0m | 333 333 |
| 2.0m | 500 500 500 500 |
| 3.0m | 600 600 600 600 600 600 |



1-PHASE TRACKS

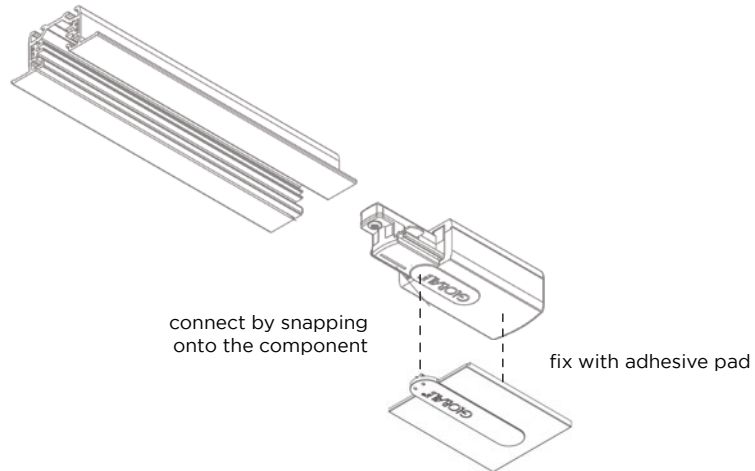
RECESSED TRACKS - COVERPLATES

Coverplates are optionally offered to align the wider trim of recessed tracks with the smaller components such as end feeds, L-feeds etc. The width of these components is the same as the width of the surface mounted track, therefore this accessory is recommended to visually straighten the track configuration when using recessed tracks.

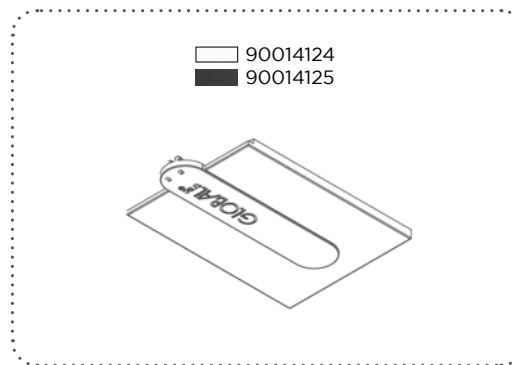


1-PHASE TRACKS

RECESSED TRACKS - COVERPLATES

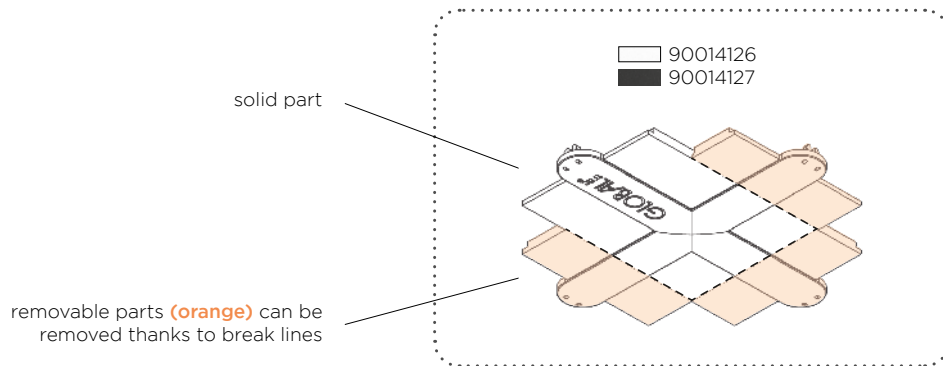
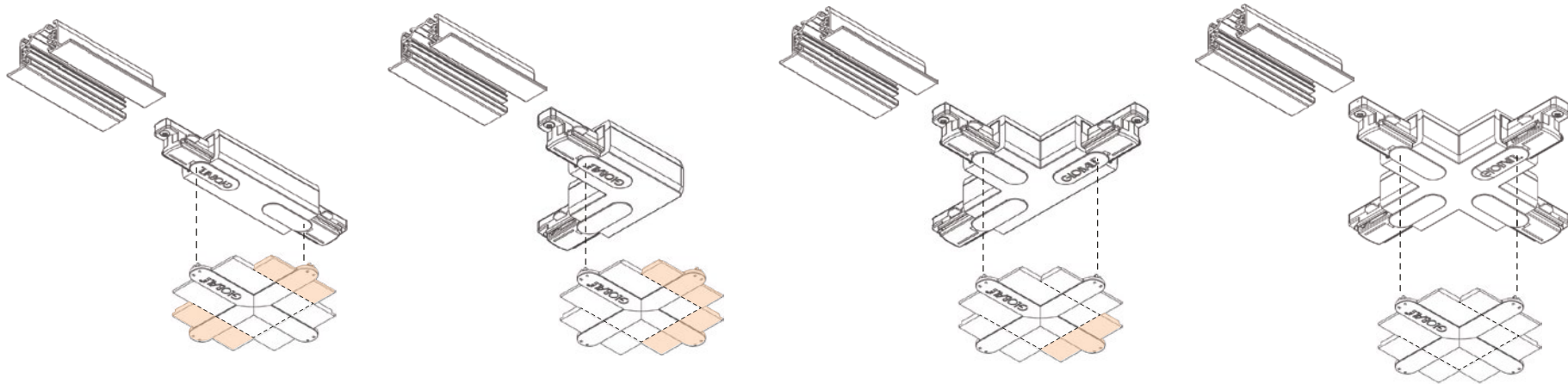


Compatible with:
> End feed (both)



1-PHASE TRACKS

RECESSED TRACKS - COVERPLATES

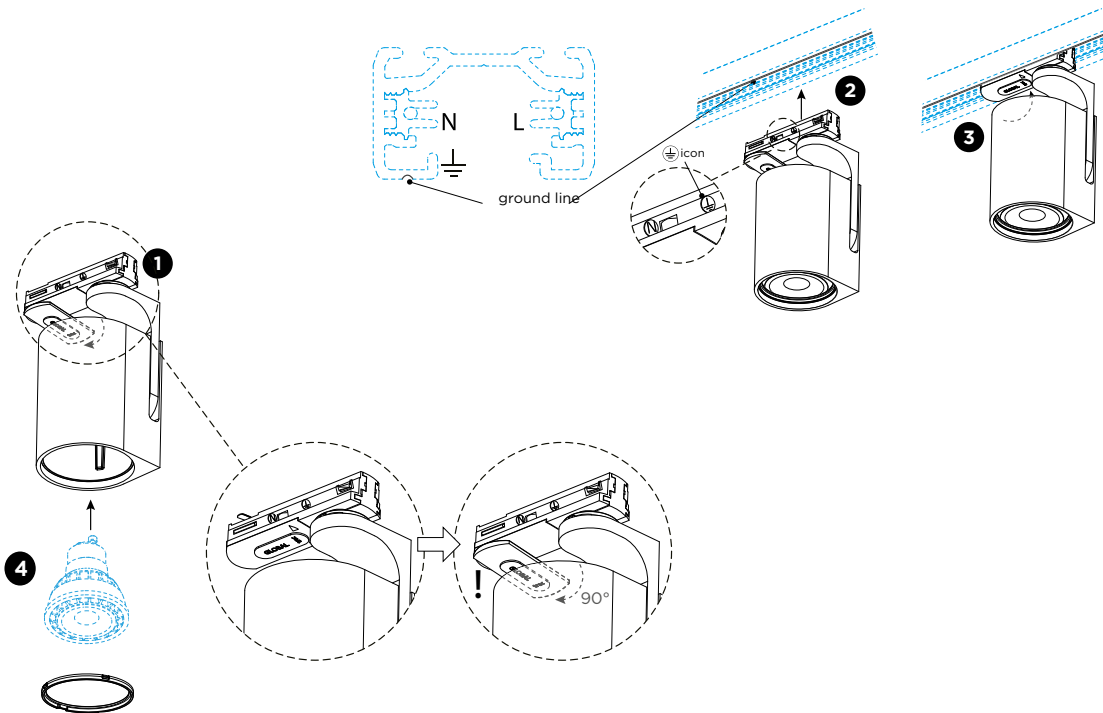


Compatible with:

- > Middle feed
- > T - feed
- > L - feed
- > X - feed

1-PHASE TRACKS

HOW TO FIX A 1-PHASE TRACK LUMINAIRE INTO A 1-PHASE TRACK - EXAMPLE: SQUBE 1.0 PAR16

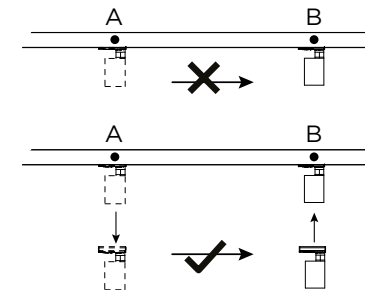


MOUNTING INSTRUCTION

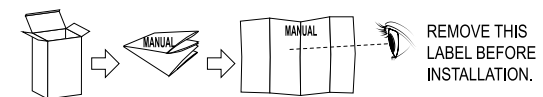
- 1 Turn the adapter's handle 90° as illustrated.
- 2 Push the adapter into the track. Make sure the ⊕ icon on the inside of the adapter is faced towards the track side with the ground line craved in it
- 3 Turn the handle back into the original position to lock the adapter in the track.
- 4 For PAR16 mount the lamp into the fixture.



Note: the fixture is not allowed to slide in the track. If you want to change location of the fixture in the track, please unlock the fixture from the track and install it on the correct position.



To make sure the installer is aware of the correct installation process we add a paper tag around the luminaire's adapter.



REMOVE THIS LABEL BEFORE INSTALLATION.