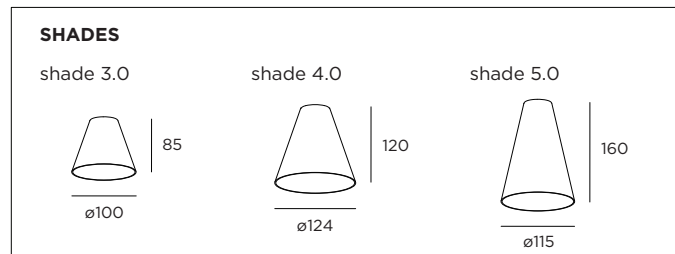
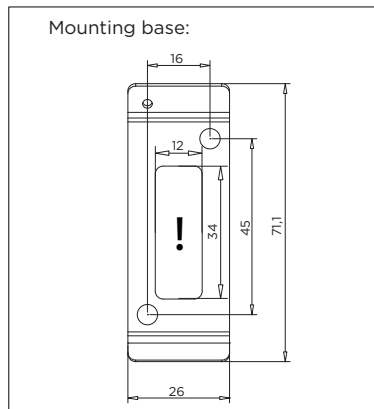
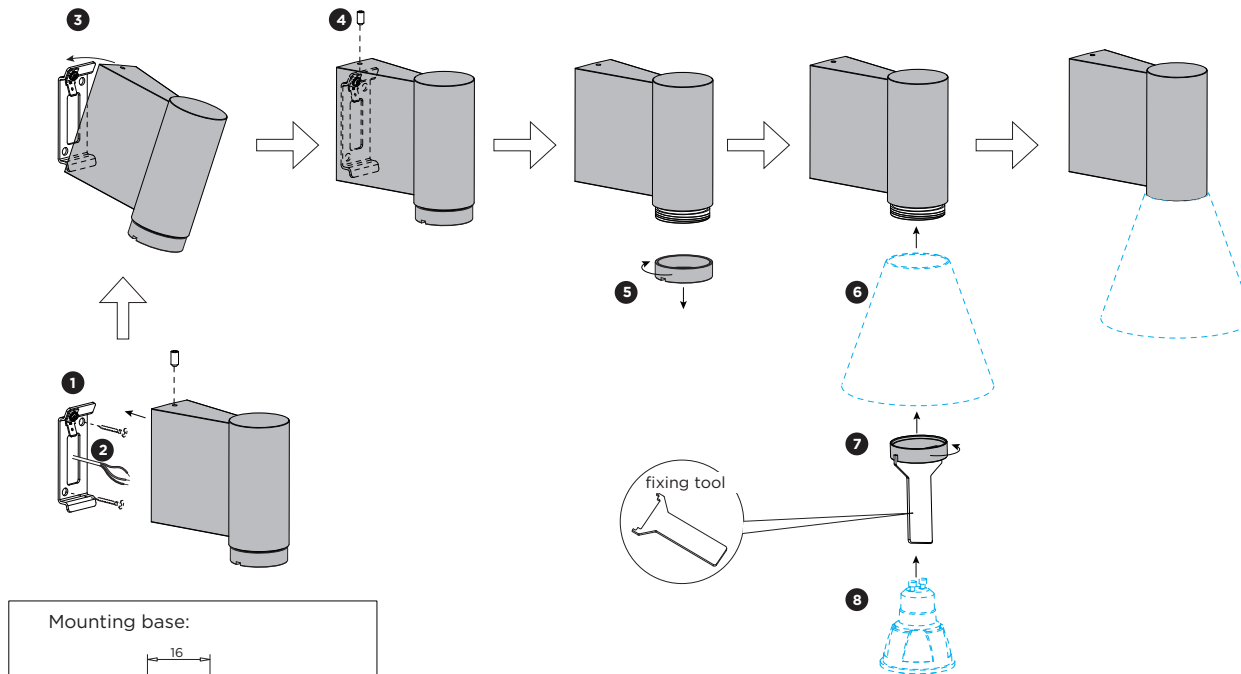
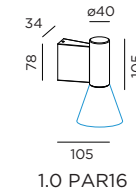


ODREY WALL SURFACE 1.0

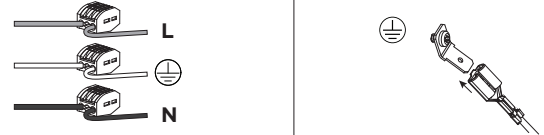
INSTALLATION INSTRUCTIONS | MAY 2020



DIMENSIONS



MOUNTING INSTRUCTION

- 1** Remove the mounting base from the luminaire by loosening the socket screw and mount it on the wall with screws (screws are not included).
- 2 POWER CONNECTION**
Connect to 220-240V.
Connect the earth cable.

- 3** Attach the luminaire to the mounting base with the lower side first and tilt towards the wall as shown.
- 4** Fixate the luminaire on the base with the socket screw.
- 5** Screw the lock ring out the luminaire.
- 6** Put a cover on.
- 7** Screw back the lock ring.
- 8** Mount a lamp to the luminaire.

PB19-010-5663-00_v0