

DARF SUSPENSION

06-Jan.-2020

1.0 LED

LED | T8 22W | 220-240VAC | 50-60Hz | incl. T8 LED tube

CE IP20 10.3m 6

black

2561T7B_

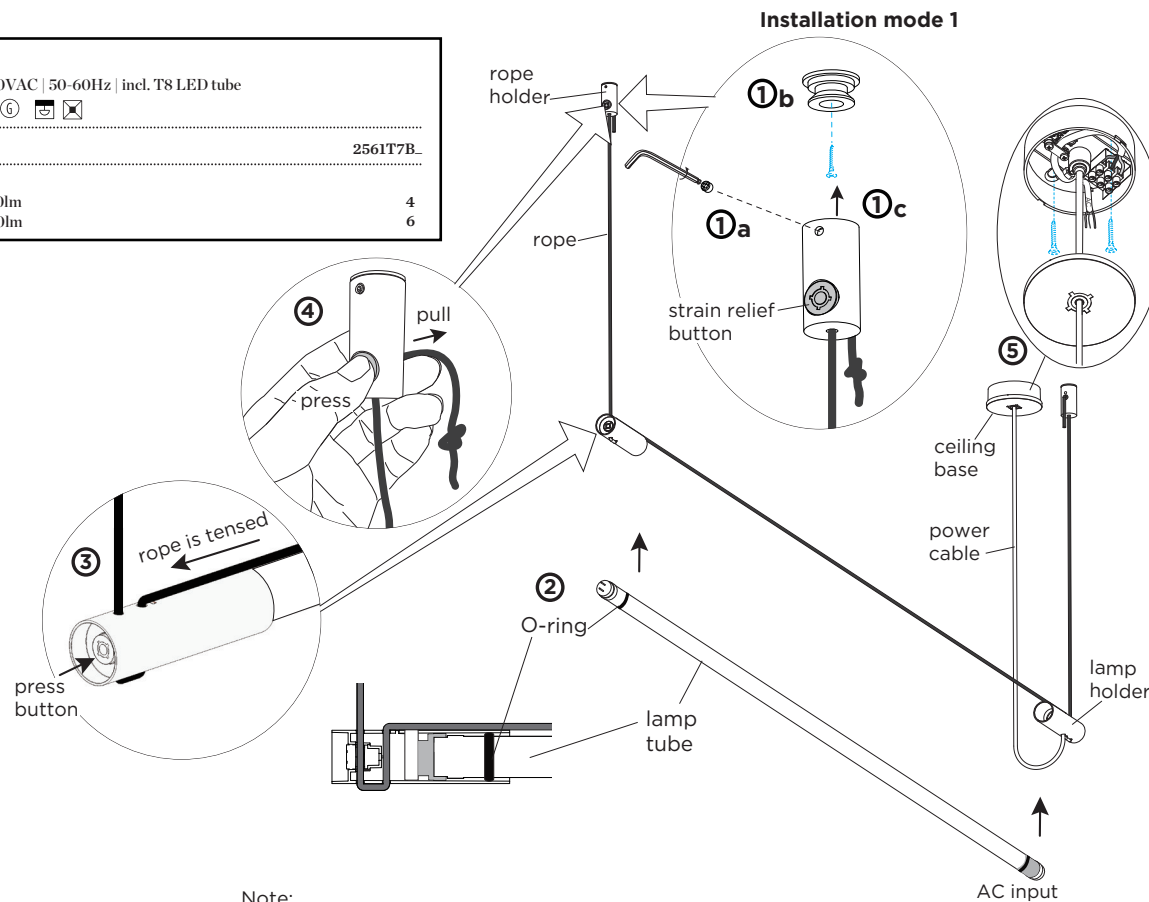
LIGHT COLOUR

3000K | >80 CRI | 3330lm

4

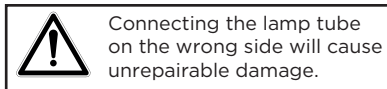
4000K | >80 CRI | 3700lm

6

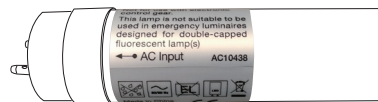


Note:

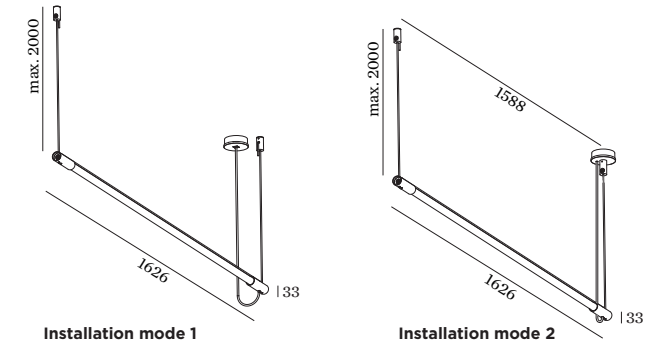
1. The length of the power cable is longer than the length of the rope, so that the rope can bear the weight of the luminaire.
2. Only one side lamp holder is electrically connected. When installing a lamp tube, connect the end of lamp tube marked AC Input to the side of power cable.



Connecting the lamp tube on the wrong side will cause unrepairable damage.



MOUNTING INSTRUCTION



MOUNTING INSTRUCTION

- 1 Mount the two rope holders.
 - a Loosen the ceiling fixation from the cylinder with the allen screw.
 - b Mount the ceiling fixation of the rope holder with a screw (screw is not included).
 - c Re-attach the cylinder and tighten with the allen screw.
- 2 Place the O-rings on each side of the lamp tube and mount the tube inside the lamp holders.
- 3 Use the buttons on the lamp holder to assure the rope over the LED tube is tensed.
- 4 Adjust the rope to the desired length. When the button is pressed, the rope can be pulled (up to 500mm excess rope can be saved inside the rope holder).
- 5 Mount the ceiling base: see page 2.



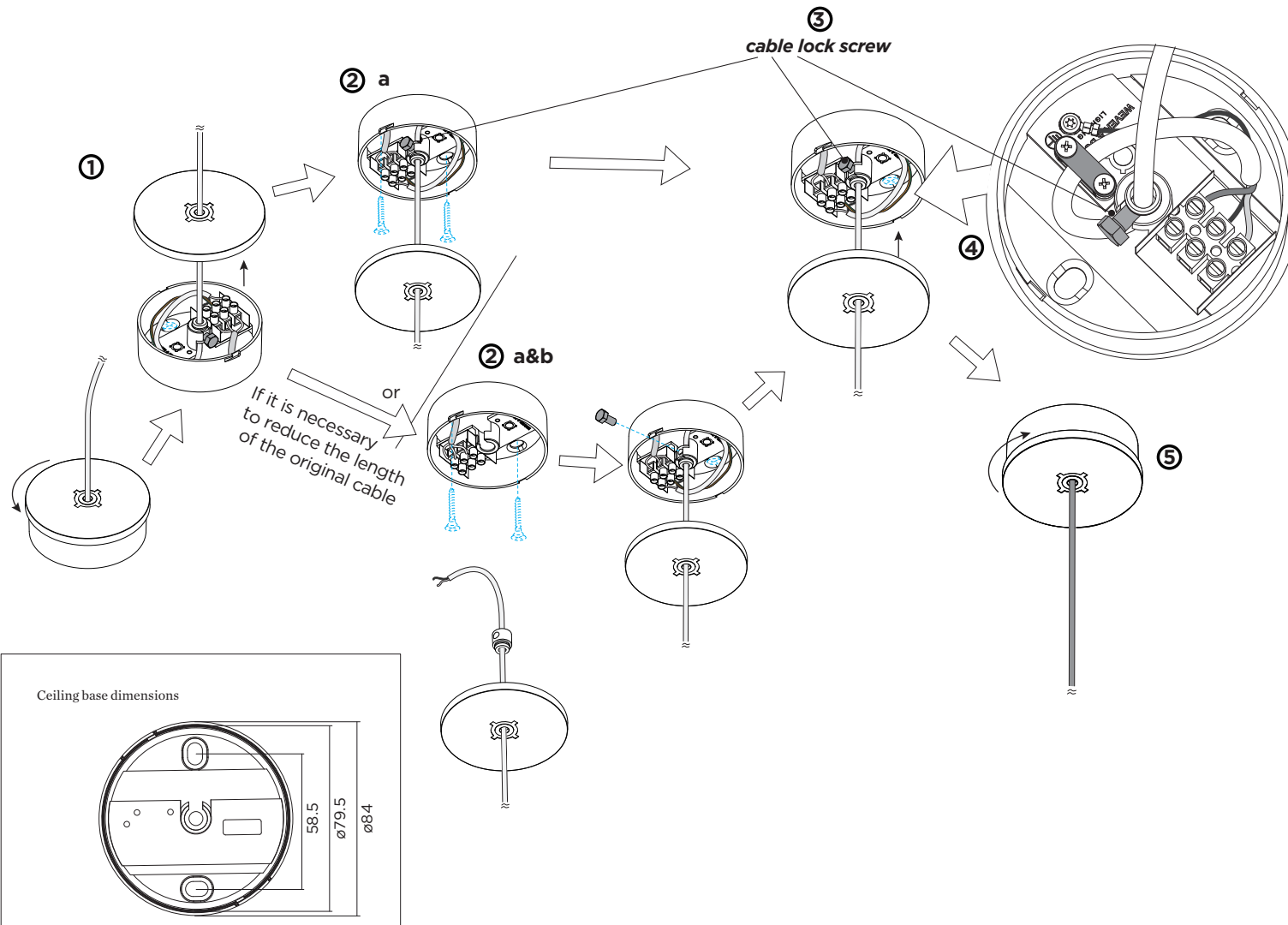
Die Netzanschlusleitung muss immer außer Reichweite von Kindern verlegt werden.
Mains supply wiring shall be secured without of reach of children.
Tenere il cavo di rete lontano dalla portata dei bambini.
El cableado de alimentación eléctrica deberá siempre ser realizado lejos del alcance de niños.
Installez les câblages électriques hors de portée des enfants.

PB19-010-637-00

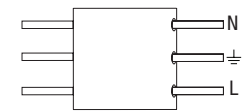
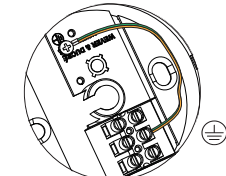
DARF SUSPENSION

06-Jan.-2020

Mount the ceiling base



MOUNTING INSTRUCTION

- ① Turn the cover counterclockwise a quarter in order to loosen it from the ceiling base.
- ② a Fix the ceiling base to the ceiling with screws (screws are not included).
b Reduce the cable length and dismantle the inner wires.
- ③ Firmly tighten the cable lock screw on the strain relief.
- ④ **POWER CONNECTION**
Interior: STANDARD connection

Ceiling base earth connection:

- ⑤ Mount the cover back to the base by turning clockwise.



WEVER & DUCRÉ
LIGHTING

www.weverducre.com

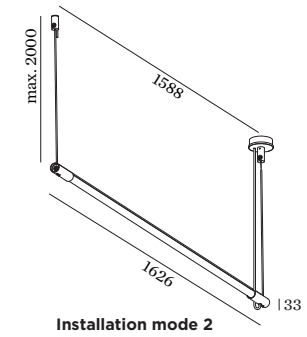
Wever & Ducre bvba Spinnerijstraat 99/21 8500 Kortrijk

INSTALLATION
INSTRUCTIONS

PAGE 2/3

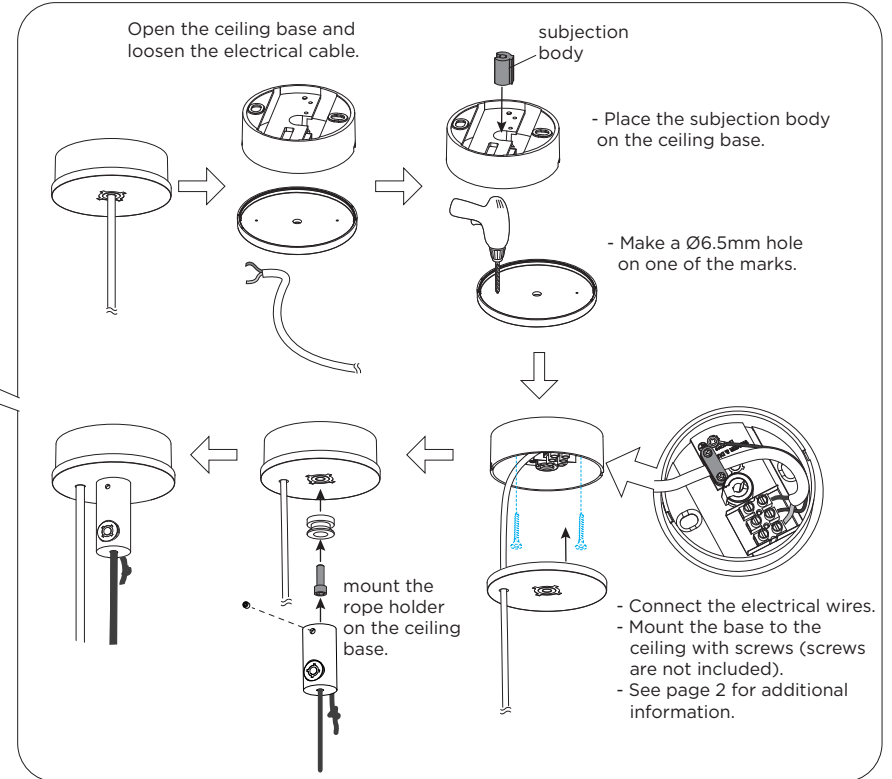
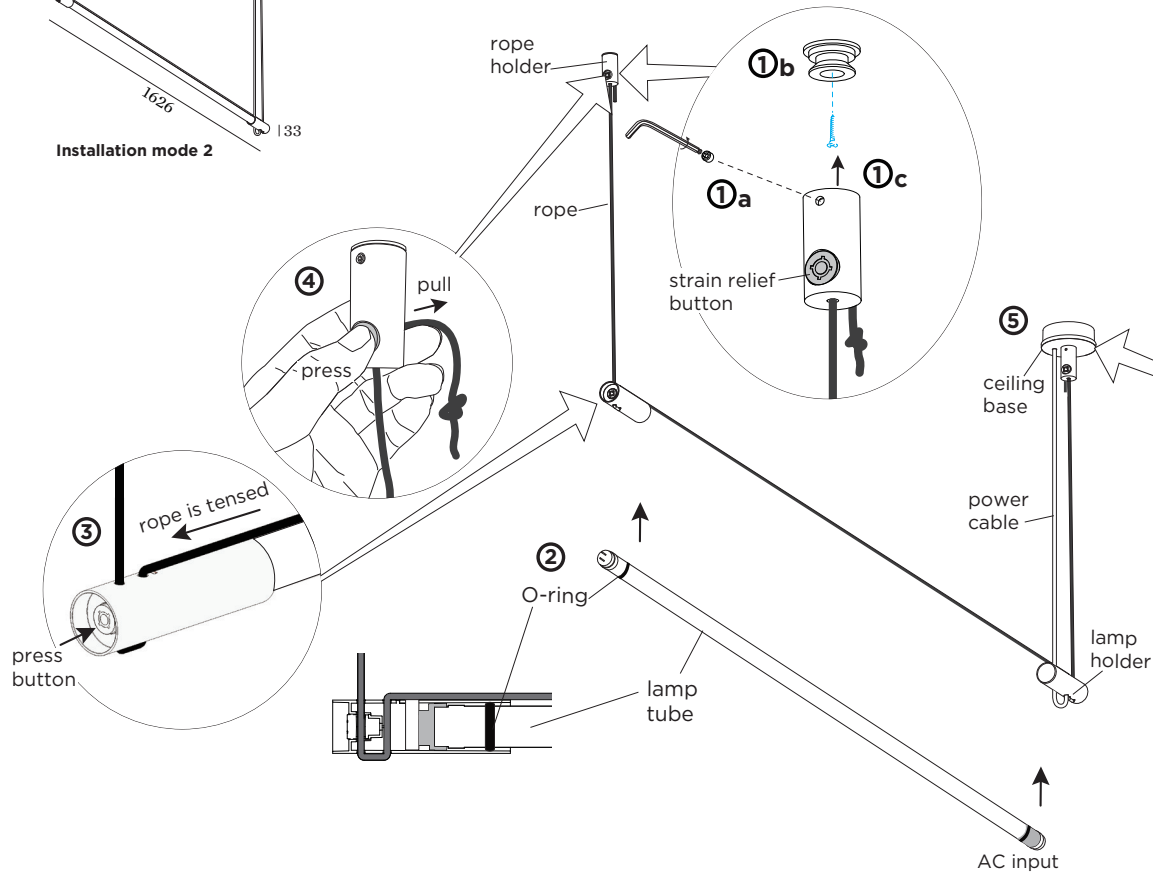
DARF SUSPENSION

06-Jan.-2020



Installation mode 2

Installation mode 2



WEVER & DUCRÉ
LIGHTING

www.weverducre.com

Wever & Ducre bvba Spinnerijstraat 99/21 8500 Kortrijk

INSTALLATION
INSTRUCTIONS

PAGE 3/3