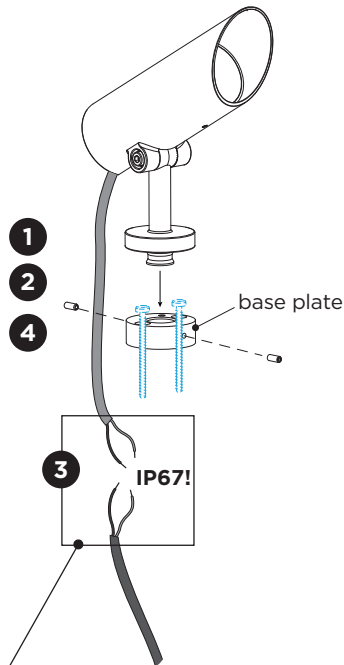


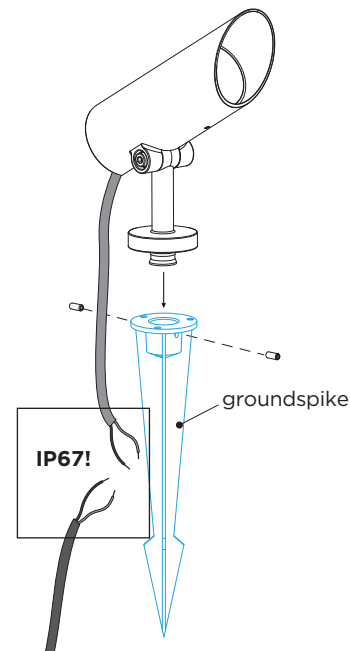
STIPO 1.0 / 2.0

INSTALLATION INSTRUCTIONS | NOVEMBER 2022

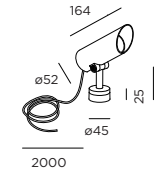
Fix to the base plate



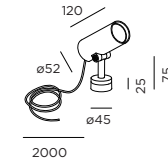
Fix to the groundspike



DIMENSIONS



STIPO 1.0



STIPO 2.0

MOUNTING INSTRUCTION

- 1 Remove the base plate by loosening the side screws.
- 2 For using base plate: fix the base plate to the ground with screws (screws are not included).
For using groundspike : stick the groundspike into the ground and mount the fixture on the groundspike with the side screws. The base plate is not needed.
- 3 **POWER CONNECTION**
Connect to 220-240V. Connect the wires with the waterproof connections. Please see the detail method in the separate instruction sheet of waterproof connection.
- 4 Fix the luminaire to the base plate with the side screws.

Included:

waterproof connectors:

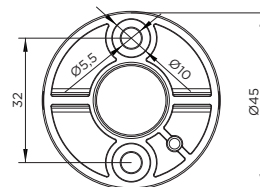


Optional:

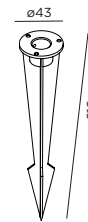
IP68 connection box:

order ref. 73240706 = 2 WAYS 2x1,5 Ø6-8mm

base plate dimensions

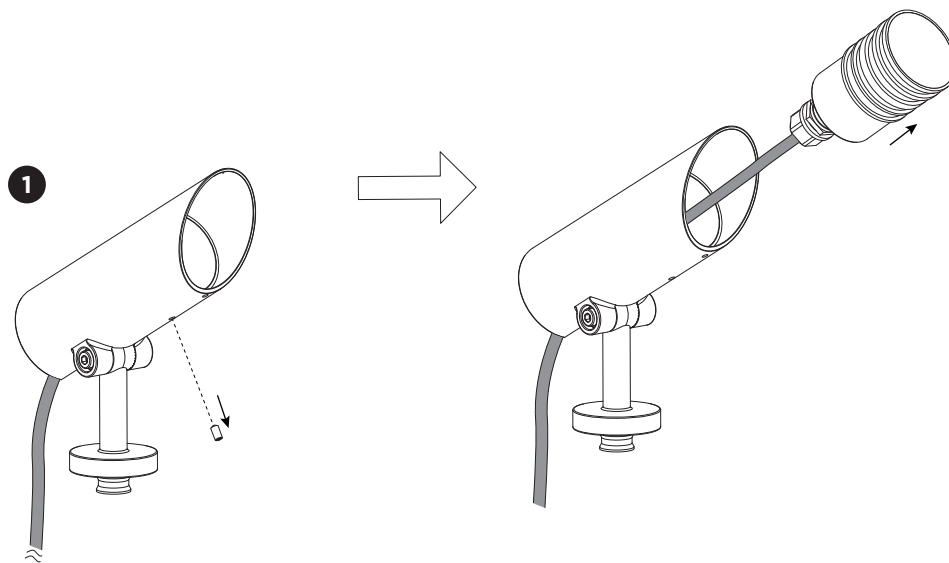


groundspike dimensions



STIPO 1.0 / 2.0

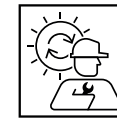
INSTALLATION INSTRUCTIONS | NOVEMBER 2022



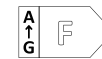
DISMOUNTING AND RECYCLING INSTRUCTIONS

Light source

- 1 Loosen the screw and remove the LED engine from the pole by pushing the cable into the bollard.



The light source is replaceable by an authorized professional.
For advice contact your Wever & Ducré customer service contact point.



This luminaire contains a light source with the energy class F.