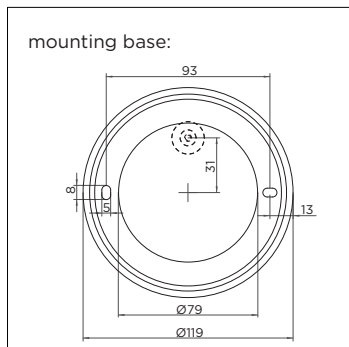
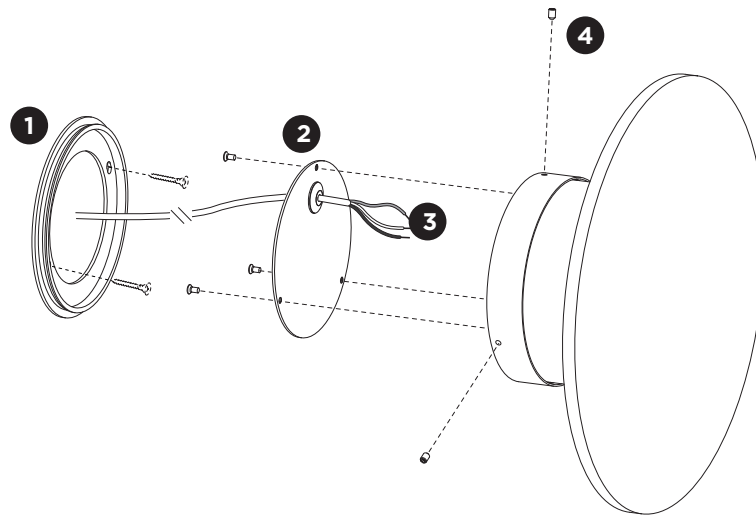
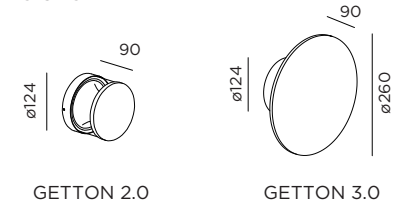


# GETTON wall 2.0/3.0

INSTALLATION INSTRUCTIONS | JULY 2022

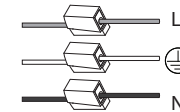


## DIMENSIONS



## MOUNTING INSTRUCTION

- 1 Remove the mounting base from the luminaire by loosening the socket screws and mount it on the wall with screws (screws are not included).
- 2 Open the back plate of the luminaire by loosening the screws.
- 3 POWER CONNECTION  
Connect to 220-240V.



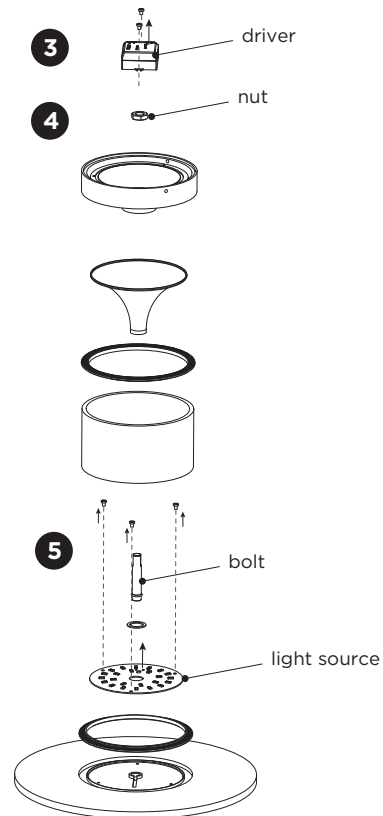
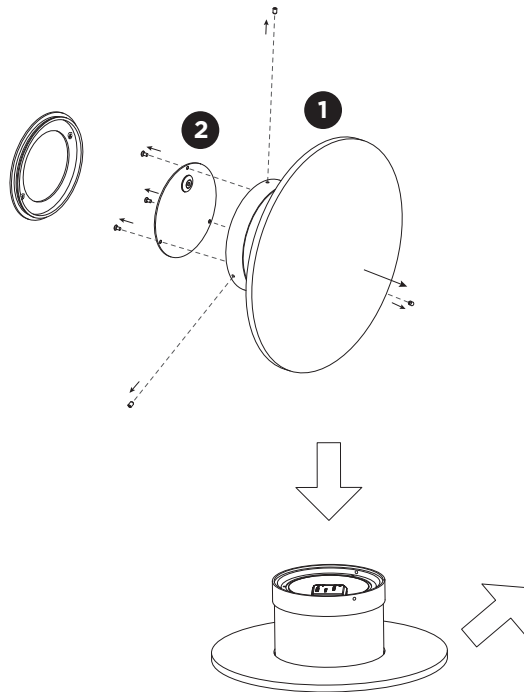
Please use a matching grommet based on the used 220-240V cable and the corresponding type in the overview table.

	A	B	C
use pin to make hole, not a knife			
CABLE			
TYPE	ROUND H05RN-F H07RN8-F H07RN-F	ROUND H05RN-F	ROUND
OUTSIDE Ø	min 6.8mm max 8.9mm	min 5mm max 6.8mm	min 1.5mm max 2.6mm
CONDUCTION SECTION	2or3x 0.75mm <sup>2</sup> 2or3x 1.0mm <sup>2</sup> 2or3x 1.5mm <sup>2</sup>	2or3x 0.75mm <sup>2</sup> 2x 1.0mm <sup>2</sup>	0.75mm <sup>2</sup> 1.5mm <sup>2</sup>

- 4 Close the fixture again with the back plate and screws.
- 5 Fix the luminaire on the base with the socket screws.

# GETTON wall 2.0/3.0

INSTALLATION INSTRUCTIONS | JULY 2022

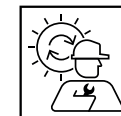


## DISMOUNTING INSTRUCTION light source and driver

- 1 Unscrew the socket screws and remove the luminaire from the mounting base.
- 2 Loosen the screws, remove the back cover and disconnect the wires.
- 3 Loosen the screws, disconnect the wires and remove the driver.
- 4 Unscrew the nut and remove the components.
- 5 Unscrew the bolt, remove the gaskets and remove the light source.



The driver can be replaced by the end user.



To replace the light source please contact your Wever & Ducré customer service contact point.



This luminaire contains a light source with the energy class D.