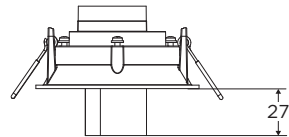
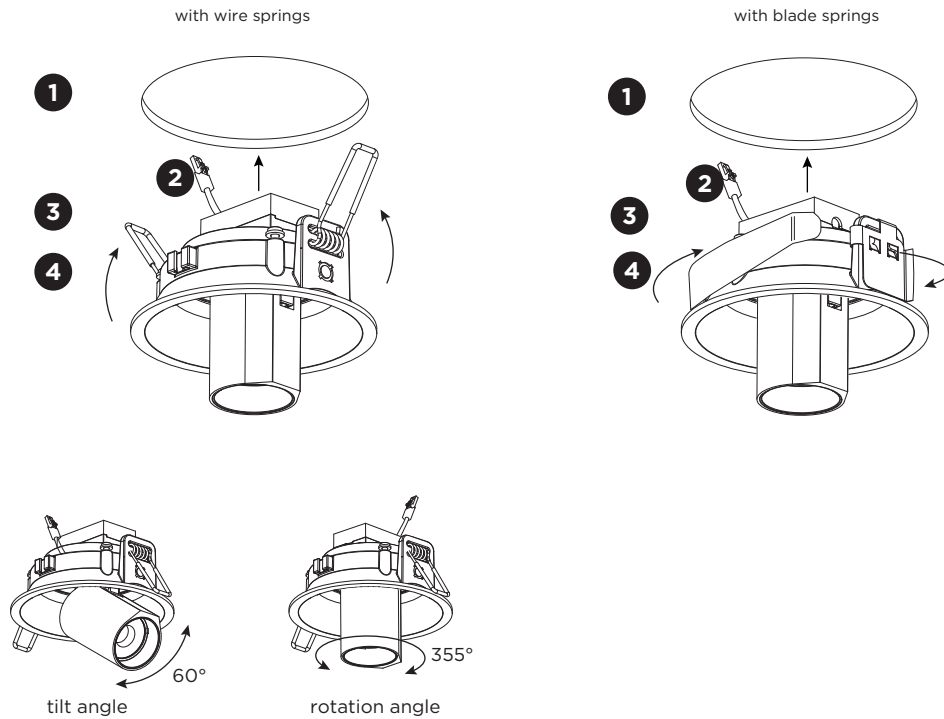


# BLIEK ROUND petit 1.0

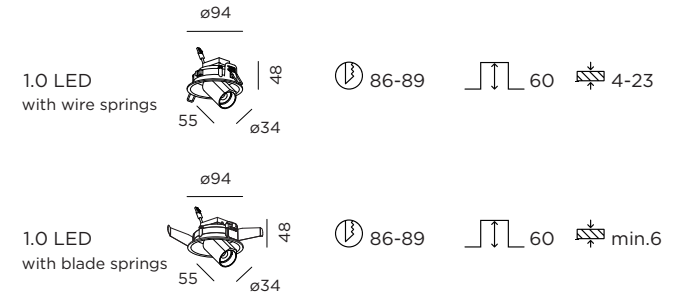
INSTALLATION INSTRUCTIONS | JANUARY 2022



**!** Before connecting the luminaire/LED module to the driver please make sure the driver is not powered but disconnected from the mains. The driver can only be powered when the luminaire/LED module is already connected. Disregarding this instruction might damage or even destroy the luminaire/LED module.

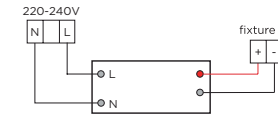
Driver must be powered off before connecting cables.

## DIMENSIONS

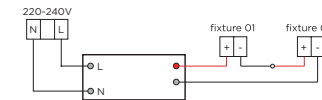


## MOUNTING INSTRUCTION

- 1 Make a hole in the ceiling according to the prescribed dimensions.
- 2 **POWER CONNECTION**  
Always use a driver according to the specifications of the LED module.



## SERIAL CONNECTION



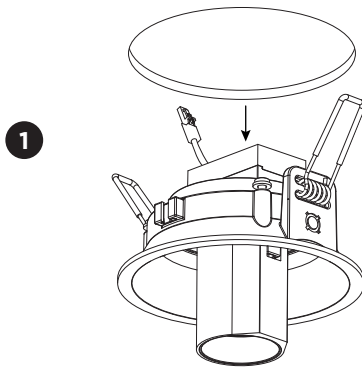
- 3 For wire spring version: push the springs up and insert the fixture in the ceiling hole.  
For blade spring version: press the springs close to the fixture and insert the fixture in the ceiling hole.

PB19-010-671-00\_v3

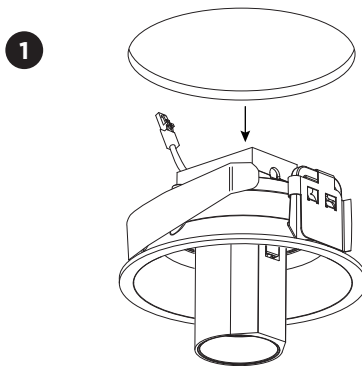
# BLIEK ROUND petit 1.0

INSTALLATION INSTRUCTIONS | JANUARY 2022

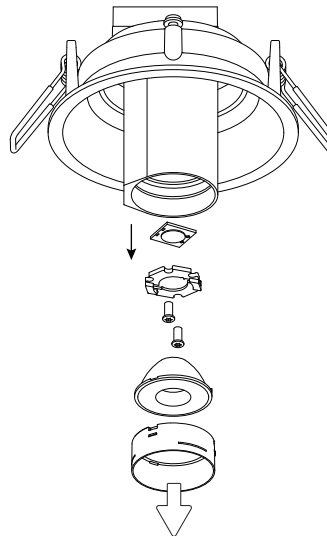
with wire springs



with blade springs



2



## DISMOUNTING INSTRUCTION

### Light Source

- 1 Take the luminaire out of the ceiling hole and disconnect the wires.
- 2 Dismount the lens holder and all parts behind to remove the COB module.



To replace the light source please contact your W&D customer service.



This luminaire contains a light source with the energy class G.